

# **KOBE**® **KOBE Brand Range Hood**

**Model No. / N<sup>os</sup> de modèles / Modelo No.**

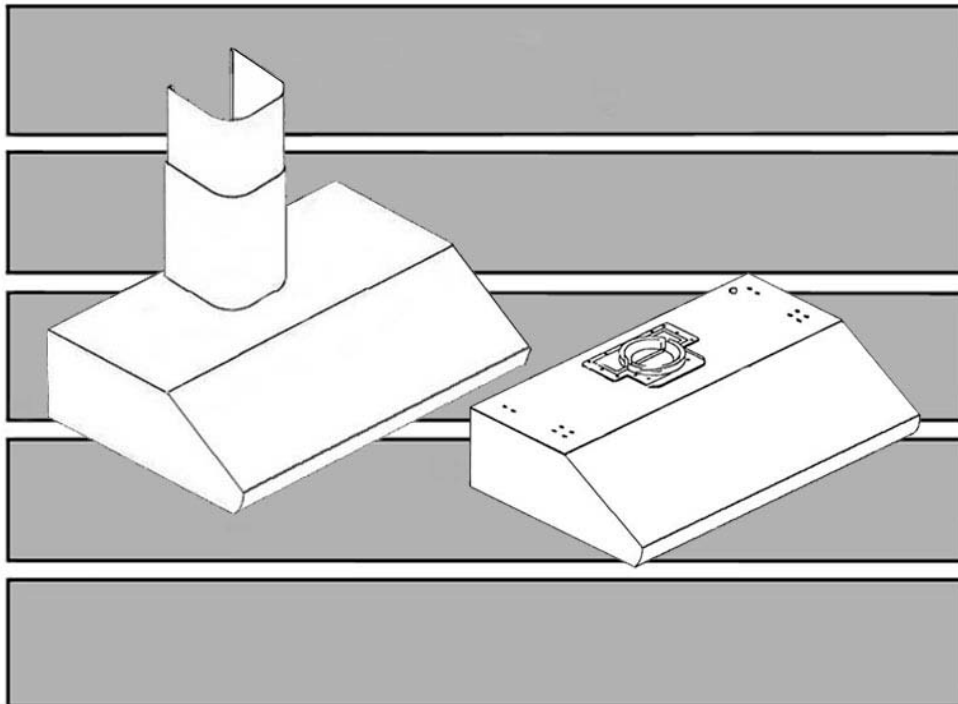
**CH2730SQB**

**CH2736SQB**

**CH2742SQB**

**CH2748SQB**

**CH-27 SERIES – 7” HEIGHT**



**INSTALLATION INSTRUCTIONS  
AND OPERATION MANUAL**

**MANUEL D'INSTALLATION  
ET MODE D'EMPLOI**

**INSTRUCCIONES DE INSTALACIÓN  
Y MANUAL DE OPERACIÓN**

[ENGLISH] .....	1
[FRENCH] .....	34
[SPANISH] .....	67

# [ENGLISH]

- READ AND SAVE THESE INSTRUCTIONS -

## CONTENTS

IMPORTANT SAFETY INSTRUCTIONS.....	2
COMPONENTS OF PACKAGE.....	4
INSTALLATION .....	5
OPERATING INSTRUCTIONS.....	18
MAINTENANCE .....	19
SPECIFICATIONS.....	21
MEASUREMENTS & DIAGRAMS.....	22
PARTS LIST .....	24
CIRCUIT DIAGRAM .....	27
TROUBLE SHOOTING .....	29
DISCLAIMER .....	30
WARRANTY.....	31
PRODUCT REGISTRATION .....	33

- READ ALL INSTRUCTIONS CAREFULLY BEFORE STARTING -

ALL WIRING MUST BE DONE BY A PROFESSIONAL AND IN ACCORDANCE WITH NATIONAL AND LOCAL ELECTRICAL CODES



## IMPORTANT SAFETY INSTRUCTIONS

- PLEASE READ THIS SECTION CAREFULLY BEFORE INSTALLATION -

**⚠WARNING:** TO REDUCE THE RISK OF FIRE, ELECTRIC SHOCK OR PERSONAL INJURY, OBSERVE THE FOLLOWING:

- 1) Installation and electrical wiring must be done by qualified professionals and in accordance with all applicable codes and standards, including fire-rated construction.
- 2) When cutting or drilling into wall or ceiling, be careful not to damage electrical wiring or other hidden utilities.
- 3) Ducted fans must be vented to the outside.
  - a) Before servicing or cleaning unit, open the light panel and SWITCH POWER OFF AT SERVICE PANEL.
  - b) Clean all grease laden surfaces frequently. To reduce the risk of fire and to disperse air properly, make sure to vent air outside. DO NOT vent exhaust air into wall spaces, attics, crawl spaces or garages.

NOTE - This warranty is invalid without an authorized agent's receipt or if unit is damaged due to misuse, poor installation, improper use, mistreatment, negligence or any other circumstances beyond the control of KOBE RANGE HOODS authorized agents. Any repair carried out without the supervision of KOBE RANGE HOODS authorized agents will automatically void the warranty.

- KOBE RANGE HOODS will not be held responsible for any damages to personal property or real estate or any bodily injuries whether caused directly or indirectly by the range hood.

**⚠WARNING:** TO REDUCE THE RISK OF PERSONAL INJURY IN THE EVENT OF A RANGE TOP GREASE FIRE:

1. Keep all fan, baffle/spacer/filter/oil tunnel/oil container and grease-laden surfaces clean. Grease should not be allowed to accumulate on fan, baffle/spacer/filter/oil tunnel/oil container.
2. Always turn hood ON when cooking.
3. Use high settings on cooking range ONLY when necessary.
4. Do not leave cooking range unattended when cooking.
5. Always use cookware and utensils appropriate for the type and amount of food prepared.
6. Use this unit only in the manner intended by the manufacturer.
7. Before servicing, switch power off at service panel and lock service panel (if possible) to prevent power from switching on accidentally.
8. Clean ventilating fan frequently.

### What to Do In The Event Of a Range Top Grease Fire

- SMOTHER FLAMES with a tight fitting lid, cookie sheet, or metal tray, and then turn off the burner. KEEP FLAMMABLE OR COMBUSTIBLE MATERIAL AWAY FROM FLAMES. If the flames do not go out immediately, EVACUATE THE AREA AND CALL THE FIRE DEPARTMENT or 911.
- NEVER PICK UP A BURNING PAN – You May Get Burned.
- DO NOT USE WATER, including wet dishcloths or towels – a violent steam blast will result.
- Use an extinguisher ONLY if:
  - a) You have a Class A, B, C extinguisher and know how to operate it.
  - b) The fire is small and contained in the area where it started.
  - c) The fire department has been called.
  - d) You can fight the fire with your back to an exit.

### What to Do If You Smell Gas

- Extinguish any open flame.
- Do not try to turn on the lights or any type of appliance.
- Open all doors and windows to disperse the gas. If you still smell gas, call the Gas Company and Fire Department right away.

## **⚠ CAUTION**

- 1) For general ventilation use only. Do not use to exhaust hazardous or explosive materials and vapors.
- 2) To reduce the risk of fire, use only metal ductwork. Sufficient air is needed for proper combustion and exhausting of gases through the flue (chimney) to prevent back drafting.
- 3) Follow the heating equipment manufacturer's guideline and safety standards such as those published by the National Fire Protection Association (NFPA), and the American Society for Heating, Refrigeration and Air Conditioning Engineers (ASHRAE), and code authorities.
- 4) Activating any switch on may cause ignition or an explosion.
- 5) Due to the size and weight of this hood, two people installation is recommended.

### **⚠ WARNING**



**ELECTRICAL SHOCK HAZARD – Can result in serious injury or death. Disconnect appliance from electric power before servicing. If equipped, the fluorescent light bulb contains small amounts of mercury, which must be recycled or disposed of according to Local, State, and Federal Codes.**

## COMPONENTS OF PACKAGE

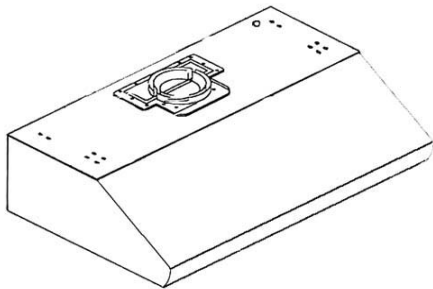
(Must keep all material for returns or refunds)

### Range Hood Box For CH2730SQ and CH2736SQ

- {A} KOBE Range Hood - 1
- {B} Warranty Registration Card - 1
- {C} Instructions Manual - 1
- {D} Baffle Filter - 2 (for 30" hood)  
- 3 (for 36", 42" hood)  
- 4 (for 48" hood)

### {E} Vent Cover (Top)

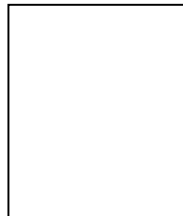
{A}



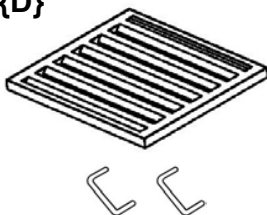
{B}



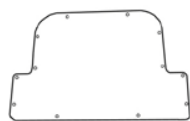
{C}



{D}



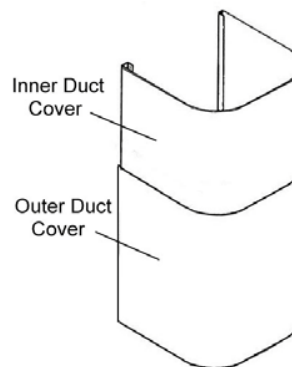
{E}



### Duct Cover Box (Sold Separately)

- {F} KOBE Adjustable Duct Cover - 1
- {G} Screws Package - 1
- {H} Duct Cover-Mounting Bracket - 1
- {I} Hood-Mounting Bracket - 1

{F}

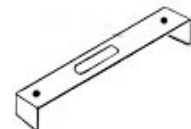


{G}



3/16" x 3/8" (9 pcs)

{H}

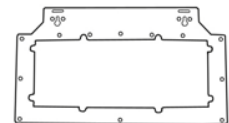


4 x 8 mm ( 8 pcs)

{I}



Rubber Stand (2 pcs)



◆ FOR MORE INFORMATION, PLEASE VISIT OUR WEBSITE [www.KOBERangeHoods.com](http://www.KOBERangeHoods.com) OR CONTACT KOBE RANGE HOODS AT (626) 775-8880.

# INSTALLATION

PLEASE READ ENTIRE INSTRUCTIONS BEFORE PROCEEDING

## Calculation before Installation

To calculate installation, please refer to TABLE 1. (All calculation in inches.)

### - FOR UNDER THE CABINET -

<p><b>TABLE 1</b></p> <p>A = Height of Floor to Ceiling          B = Height of Floor to Counter Top          (Standard: 36")  <b>C = Preferred Height of Counter Top          to Hood Bottom (Recommended          27" to 30")</b>          D = Height of Hood          E = Height of the Cabinet</p>	<p>The diagram illustrates the under-cabinet installation. It shows a vertical cross-section of a kitchen cabinet and counter. The counter top is at height B from the floor. The hood is mounted below the counter, with its bottom edge at height C from the floor. The hood has a height of D. Above the hood is the cabinet, which has a height of E from the counter top. The total height from the floor to the ceiling is A.</p>
---	---

### - FOR WALL MOUNT (WITH OPTIONAL DUCT COVER) -

<p><b>TABLE 2</b></p> <p>A = Height of Floor to Ceiling          B = Height of Floor to Counter Top          (Standard: 36")  <b>C = Preferred Height of Counter Top          to Hood Bottom (Recommended          27" to 30")</b>          D = Height of Hood          E = Height of Duct Cover [F – D]          F = Height of the Hood Installation          [A – (B+C)]</p>	<p>The diagram illustrates the wall mount installation with an optional duct cover. It shows a vertical cross-section of a kitchen cabinet and counter. The counter top is at height B from the floor. The hood is mounted on the wall below the counter, with its bottom edge at height C from the floor. The hood has a height of D. Above the hood is a duct cover, which has a height of E. The total height from the floor to the top of the duct cover is F. The total height from the floor to the ceiling is A.</p>
--	---

**⚠ SAFETY WARNING**

**HOOD MAY HAVE VERY SHARP EDGES; PLEASE WEAR PROTECTIVE GLOVES IF REMOVING ANY PARTS FOR INSTALLING, CLEANING OR SERVICING.**

**NOTE: BE CAREFUL WHEN USING ELECTRICAL SCREWDRIVER, DAMAGE TO THE HOOD MAY OCCUR.**

Installation Contents

UNDER THE CABINET	
Top Vent.....	7
Rear Vent.....	9
WALL MOUNT	
Top Vent.....	11
Rear Vent.....	14



## ***UNDER THE CABINET INSTALLATION – TOP VENT***

### Preparation before Installation

**NOTE: TO AVOID DAMAGE TO YOUR HOOD, PREVENT DEBRIS FROM ENTERING THE VENT OPENING.**

- Decide the location of the venting pipe from the hood to the outside. Refer to Figure 1.
- A straight, short venting run will allow the hood to perform more efficiently.
- Try to avoid as many transitions, elbows, and long run as possible. This may reduce the performance of the hood.
- Temporarily wire the hood to test for proper operation before installing.
- Peel protective film off the hood (if any).
- For installing under the cabinet with recessed bottom, attach 4-inch wide wood filler strips (not included) on each side. Refer to Figure 2.
- Measure and create access opening for electrical wires under the cabinet.
- Cut the multi duct exhaust according to the size of the venting pipe. Refer to Figure 3.

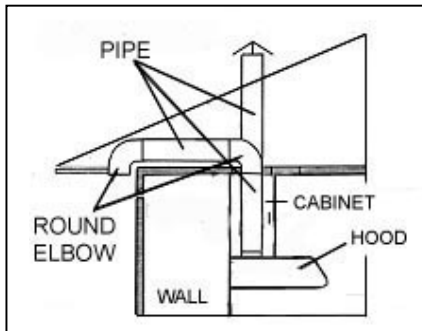


Figure 1

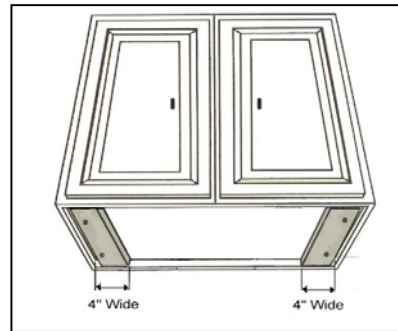
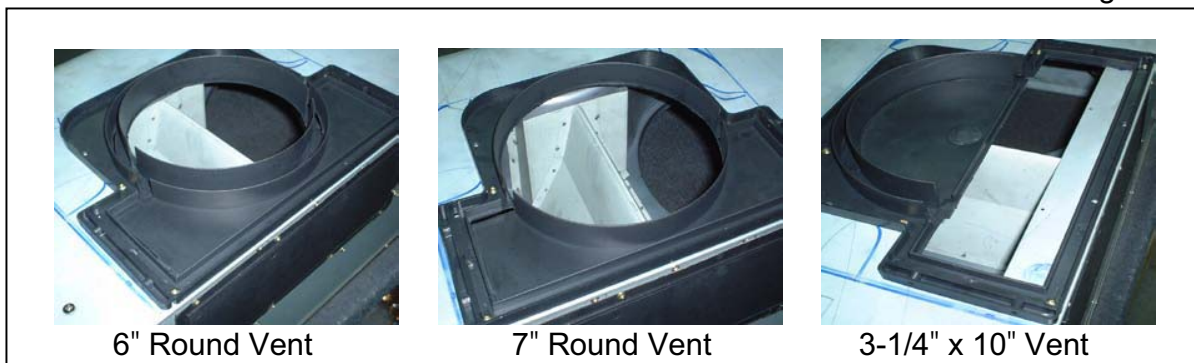


Figure 2

Figure 3



6" Round Vent

7" Round Vent

3-1/4" x 10" Vent

### Hood Installation

**CAUTION: If required to move the cooking range to install the hood, turn off the power on an electric range at the main electrical box. SHUT OFF THE GAS BEFORE MOVING A GAS RANGE.**

1. Puncture the knockout holes on the hood as shown in Figure 4.

2. Unscrew the six screws on the bottom casing. Remove the bottom casing or remove the baffle filters and spacers. If necessary, arrange the electrical wires to run through the 1" diameter hole on the top or the rear of the hood. Refer to Figure 5.
3. Using references on Table 1 and measurements on page 22 center the hood in place beneath the cabinet and flush with the front of the cabinet.



Figure 4

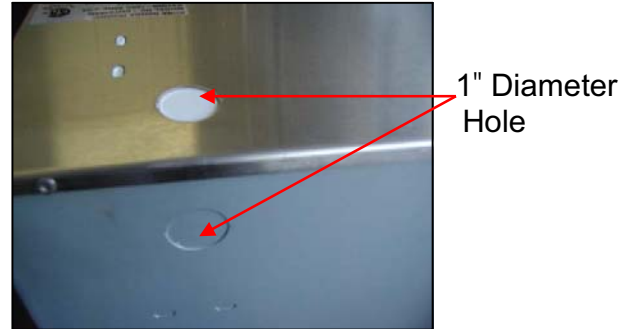


Figure 5

4. Draw electrical wires through cabinet access opening.
5. Place screw (not provided) into the exact center of each knockout hole. Make sure all screws are in place before tightening screws. **CAUTION: MAKE SURE THE HOOD IS SECURE BEFORE RELEASING.**

#### Ductwork Installation

6. Use aluminum or steel pipe to connect the plastic exhaust on the hood to the ductwork above. Use duct tape to make all joints secure and air tight.

## UNDER THE CABINET INSTALLATION – REAR VENT

### Preparation before installation

NOTE: TO AVOID DAMAGE TO YOUR HOOD, PREVENT DEBRIS FROM ENTERING THE VENT OPENING.

- Decide the location of the venting pipe from the hood to the outside. Refer to Figure 6.
- A straight, short venting run will allow the hood to perform more efficiently.
- Try to avoid as many transitions, elbows, and long run as possible. This may reduce the performance of the hood.
- Temporarily wire the hood to test for proper operation before installing.
- Peel protective film off the hood (if any).
- For installing under the cabinet with recessed bottom, attach 4-inch wide wood filler strips (not included) on each side. Refer to Figure 7.
- Measure and create access opening for electrical wires under the cabinet or access opening for the electrical wires at the rear of the hood.
- Remove the screws on the vent cover (rear) and cut along the line of the inner vent cover (rear) opening. Refer to Figure 8.
- Cut the vent cover (rear) opening and reverse to the other side. Refer to Figure 9. Reattach the vent cover (rear).

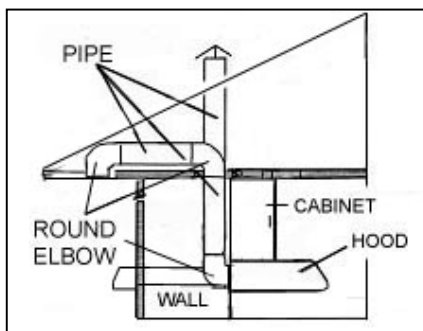


Figure 6

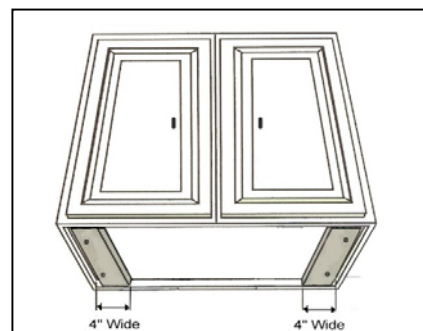


Figure 7



Figure 8



Figure 9

### Hood Installation

CAUTION: If required to move the cooking range to install the hood, turn off the power on an electric range at the main electrical box. SHUT OFF THE GAS BEFORE MOVING A GAS RANGE.

1. Puncture the knockout holes on the hood as shown in Figure 10.
2. Unscrew and remove the multi duct exhaust. Replace with {E} vent cover (top) on page 3.
3. Refer to Figure 11.



Figure 10

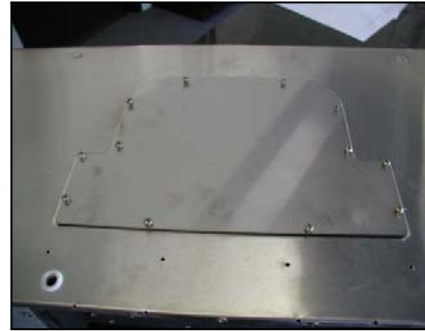


Figure 11

3. Unscrew the six screws on the bottom casing. Remove the bottom casing or remove the baffle filters and spacers. If necessary, arrange the electrical wires to run through the 1" diameter hole on the top or the rear of the hood. Refer to Figure 12.
4. Using references on Table 1 and measurements on page 22 center the hood in place beneath the cabinet and flush with the front of the cabinet.
5. Place screw (not provided) into the exact center of each knockout hole. Make sure all screws are in place before tightening screws. **CAUTION: MAKE SURE THE HOOD IS SECURE BEFORE RELEASING.**



1" Diameter Hole

Figure 12

### Ductwork Installation

6. Use aluminum or steel pipe to connect the exhaust opening at the rear of the hood to the ductwork. Use duct tape to make all joints secure and air tight.

## WALL MOUNT INSTALLATION – TOP VENT

\*\*\*This installation only applied with the purchase of a duct cover (Model No. CH1120DC).

### Preparation before Installation

NOTE: TO AVOID DAMAGE TO YOUR HOOD, PREVENT DEBRIS FROM ENTERING THE VENT OPENING.

- Decide the location of the venting pipe from the hood to the outside. Refer to Figure 13.
- A straight, short venting run will allow the hood to perform more efficiently.
- Try to avoid as many transitions, elbows, and long run as possible. This may reduce the performance of the hood.
- Use duct tape to seal the joints between pipe sections.
- If necessary, prepare back wall frame with cross framing lumber for secure installation.
- Using references on Table 2 and measurements on page 22-23, decide the level of the lumber. Refer to Figure 14.

### Hood Preparation before Installation

- Temporarily wire the hood to test for proper operation before installing.
- Peel protective film off the hood and the duct cover (if any).
- Cut the multi vent exhaust according to the size of the venting pipe. Refer to Figure 15.

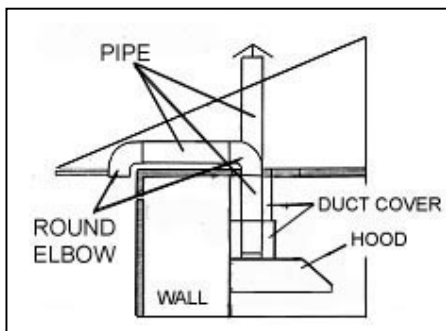


Figure 13

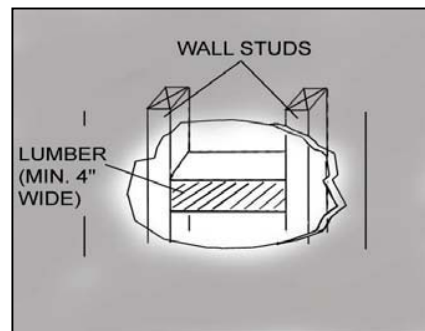


Figure 14

Figure 15



- If necessary, attach two rubber stands (provided) with two (4x8 mm) screws (provided) to the back of the hood.
- Attach the hood-mounting bracket to the back of the hood with nine (3/16" x 3/8") screws (provided) as shown in Figure 16.

### Hood Installation

**CAUTION:** If required to move the cooking range to install the hood, turn off the power on an electric range at the main electrical box. **SHUT OFF THE GAS BEFORE MOVING A GAS RANGE.**

1. Using references on Table 2 and measurements on page 22-23, mark the leveling point of the hood. Position two mounting screws (not provided) on the wall, leaving 1/8" away from the wall as shown in Figure 17.



Figure 16

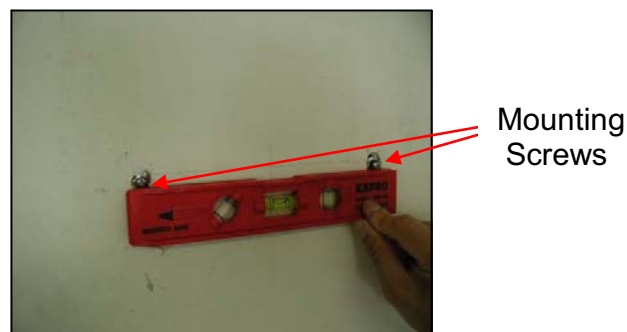


Figure 17

2. Align hood-mounting bracket to the two screws on the wall and hook hood into place. Tighten screws to secure hood to the wall. **CAUTION: MAKE SURE THE HOOD IS SECURE BEFORE RELEASING.**

### Duct Cover Installation

3. Mark the position of the duct cover-mounting bracket. Use reference **E** from Table 2 and measurements on page 22-23. Attach and secure duct cover-mounting bracket with two screws (not provided). Refer to Figure 18. **NOTE:** Inner duct cover will cover the duct cover-mounting bracket.
4. Use aluminum or steel pipe to connect the plastic exhaust on the hood to the ductwork above. Use duct tape to make all joints secure and air tight.
5. Connect electrical wires. Refer to "Wiring to Power Supply" on page 16.
6. Slide the inner duct cover up 2 inches before sliding the entire duct cover onto the hood. Refer to Figure 19.





Figure 18



Figure 19

7. Adjust the height of the inner duct cover to the duct cover-mounting bracket. Secure the inner duct cover with two (4x8 mm) screws (provided) as shown in Figure 20.



Figure 20

8. Fasten outer duct cover to multi vent exhaust on the hood with four (4x8 mm) screws (provided).

## WALL MOUNT INSTALLATION – REAR VENT

\*\*\*This installation only applied with the purchase of a duct cover (Model No. CH1120DC).

### Preparation before Installation

NOTE: TO AVOID DAMAGE TO YOUR HOOD, PREVENT DEBRIS FROM ENTERING THE VENT OPENING.

- Decide the location of the venting pipe from the hood to the outside. Refer to Figure 21.
- A straight, short venting run will allow the hood to perform more efficiently.
- Try to avoid as many transitions, elbows, and long run as possible. This may reduce the performance of the hood.
- Use duct tape to seal the joints between pipe sections.
- If necessary, prepare back wall frame with cross framing lumber for secure installation. Using references on Table 2 and measurements on page 22-23, decide the level of the lumber. Refer to Figure 22.

### Hood Preparation before Installation

- Temporarily wire the hood to test for proper operation before installing.
- Peel protective film off the hood and the duct cover (if any).
- Remove the screws on the vent cover (rear) and cut along the line of the inner vent cover (rear) opening. Refer to Figure 23.
- Cut the vent cover (rear) opening and reverse to the other side. Refer to Figure 24.

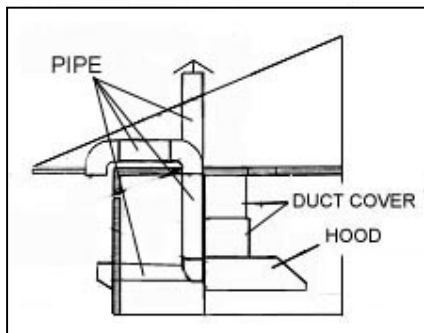


Figure 21

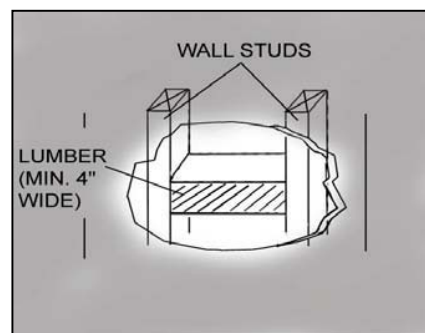


Figure 22



Figure 23

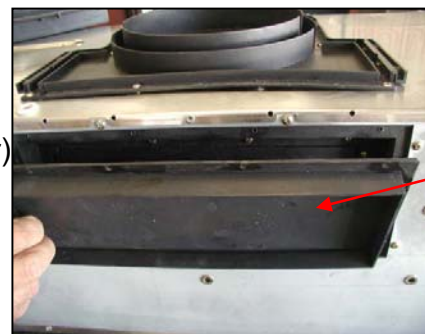


Figure 24



- If necessary, attach two rubber stands (provided) with two (4x8 mm) screws (provided) to the back of the hood.
- Attach the hood-mounting bracket to the back of the hood with nine (3/16" x 3/8") screws (provided) as shown in Figure 25.

### Hood Installation

**CAUTION:** If required to move the cooking range to install the hood, turn OFF the power on an electric range at the main electrical box. **SHUT OFF THE GAS BEFORE MOVING A GAS RANGE.**

1. Using references on Table 2 and measurements on page 22-23, mark the leveling point of the hood. Position two mounting screws (not provided) on the wall, leaving 1/8" away from the wall as shown in Figure 26.



Figure 25

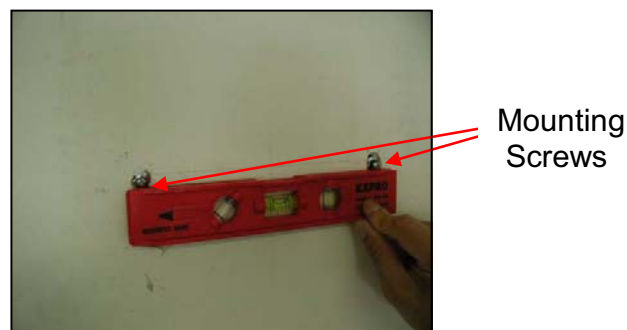


Figure 26

2. Use aluminum or steel pipe to connect the exhaust opening at the rear of the hood to the ductwork. Use duct tape to make all joints secure and air tight.
3. Align hood-mounting bracket to the two screws on the wall and hook hood into place. Tighten screws to secure hood to the wall. **CAUTION: MAKE SURE THE HOOD IS SECURE BEFORE RELEASING.**

### Duct Cover Installation

4. Mark the position of the duct cover-mounting bracket. Use calculation **E** from Table 2 for references. Attach and secure duct cover-mounting bracket with two screws (not provided). Refer to Figure 27. **NOTE:** Inner duct cover will cover the mounting bracket.
5. Connect electrical wires. Refer to "Wiring to Power Supply" on page 16.
6. Slide the inner duct cover up 2 inches before sliding the entire duct cover onto the hood. Refer to Figure 28.



Figure 27

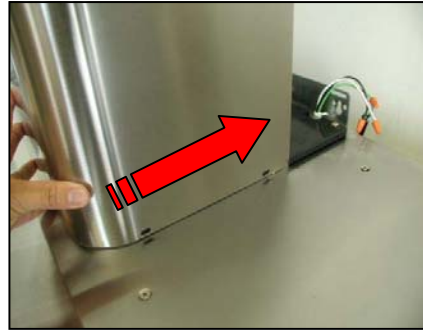


Figure 28

7. Adjust the height of the inner duct cover to the duct cover-mounting bracket. Secure the inner duct cover with two (4x8 mm) screws (provided) as shown in Figure 29.

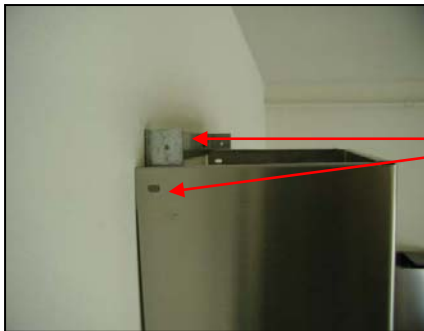


Figure 29

8. Fasten outer duct cover to multi vent exhaust on the hood with four (4x8 mm) screws (provided).

## Wiring to Power Supply

### **▲SAFETY WARNING**

RISK OF ELECTRICAL SHOCK. THIS RANGE HOOD MUST BE PROPERLY GROUNDED. MAKE SURE THIS IS DONE BY SPECIALIZED ELECTRICIAN IN ACCORDANCE WITH ALL APPLICABLE NATIONAL AND LOCAL ELECTRICAL CODES. BEFORE CONNECTING WIRES, SWITCH POWER OFF AT SERVICE PANEL AND LOCK SERVICE PANEL TO PREVENT POWER FROM BEING SWITCHED ON ACCIDENTALLY.

Connect the electrical wires.

- If necessary to hide the electrical wire connections, push wires back into the wiring box. Access the wire connections underneath the hood by removing the bottom casing from the six screws. Before reattaching the bottom casing, make sure wires do not slip between motors, impellers, or any moving parts to prevent any damage.
- Connect three wires (black, white and green) to house wires and cap with wire connectors.
- Connect according to color: black to black, white to white, and green to green.
- Test the operation of the hood before moving on to the next step. Make sure power is supplied to the hood.

## Final Assembly

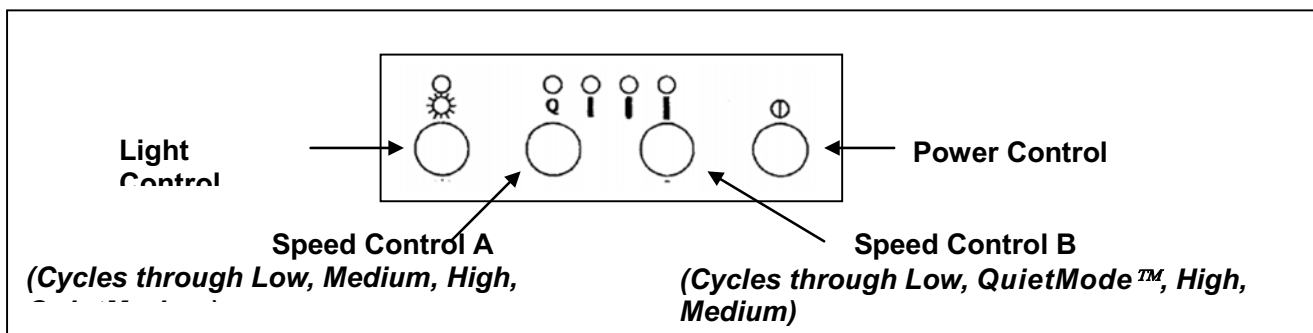
1. Turn power ON in control panel. Check all lights and fan operation.
2. Make sure to leave this manual for the homeowner.

## OPERATING INSTRUCTIONS

This KOBE hood is equipped with four electronic controls with a 10-second standby startup & 30-second delay shutoff, two powerful centrifugal turbine impellers with safety screens, two bright 12-volt 20-watt halogen lights, and four oil containers or baffle filters.

The four electronic controls are Light Control, Speed Control A (cycles through Low, Medium, High, QuietMode™), Speed Control B (cycles through Low, QuietMode™, High, Medium) and the Power Control (On/Off). Refer to Figure 30.

Figure 30



### Turn On:

- Press Power Control (On/Off) button once. (If any Control button is not pressed within 10 seconds, power will be automatically turned off).
- The KOBE hood will start on Low speed. Each press of the Speed Control button will cycle through the various speeds.
- Press Speed Control A button to cycle from Low, Medium, High, or QuietMode™. Press Speed Control B button to cycle from Low, QuietMode™, High or Medium.
- Press Light Control button to turn halogen light on.

### Turn Off:

- Press Power Control (On/Off) button once, panel lights will flash and power will be completely shut off after 30 seconds.
- OR
- Press Power Control (On/Off) button twice, all power will be shut off immediately.
  - If only the lights are on, pressing Power Control (On/Off) button once will turn power off after 30 seconds.

## MAINTENANCE

### **⚠ SAFETY WARNING**

**NEVER PUT YOUR HAND INTO AREA HOUSING THE FAN WHILE THE FAN IS OPERATING.**

#### **Cleaning Hood Surface**

### **⚠ CAUTION: NEVER USE ABRASIVE CLEANERS, PADS, OR CLOTHS. DO NOT USE PAPER TOWEL ON STAINLESS STEEL.**

For optimal operation, clean range hood and all baffle/spacer/filter/oil tunnel/oil container regularly.

\*\*\* Regular care will help preserve the appearance of the hood.

1. Use only mild soap or detergent solutions. Dry surfaces using soft cloth. **DO NOT USE PAPER TOWELS.**
2. If hood looks splotchy (stainless steel hood), use a stainless steel cleaner to clean the surface of the hood. Avoid getting cleaning solution onto or into the control panel. Follow directions of the stainless steel cleaner. **Caution: Do not leave on too long as this may cause damage to hood finish.** Use soft towel to wipe off the cleaning solution, gently rub off any stubborn spots. Use dry soft towel to dry the hood.
3. **DO NOT** allow deposits to accumulate or remain on the hood.
4. **DO NOT** use ordinary steel wool or steel brushes. Small bits of steel may adhere to the surface and cause rusting.
5. **DO NOT** allow salt solutions, disinfectants, bleaches, or cleaning compounds to remain in contact with stainless steel for extended periods. Many of these compounds contain chemicals, which may be harmful. Rinse with water after exposure and wipe dry with a clean lint free cloth.

#### **To Clean Safety Screens and Impellers**

**CAUTION: DRAIN OIL CONTAINER BEFORE OIL CAN OVERFLOW.**

- 1) Normal Cleaning
  - Spray a mild degreaser into the fan and turn on high speed. Liquid residue will accumulate in the oil containers.
- 2) Cleaning Safety Screens
  - Remove the safety screen screw and slide the safety screen out.
  - Wash with warm soapy water. Dry completely before returning into place.
  - *Top rack dishwasher safe.*

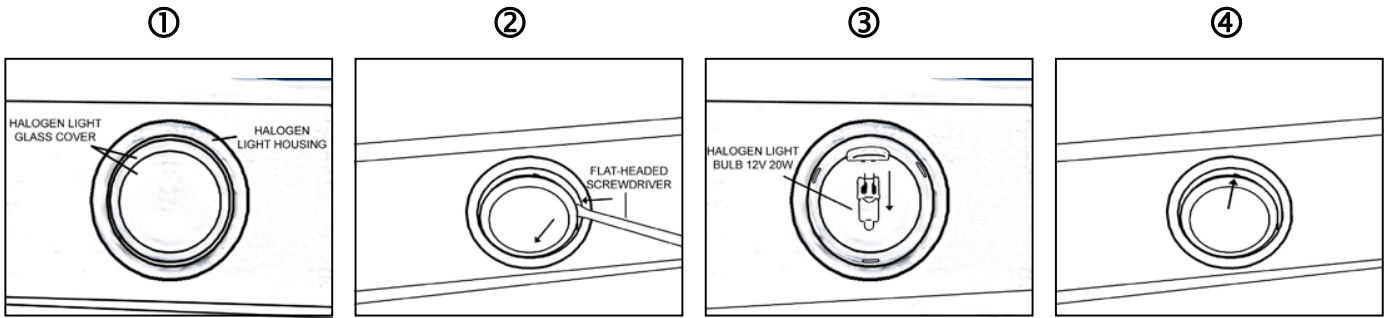
#### **To Clean Baffle Filter**

**CAUTION: DRAIN OIL FROM BAFFLE FILTER BEFORE OIL WILL OVERFLOW.**

1. Remove all the baffle filters and oil tunnel.
2. Using a sponge, wash with warm soapy water. Dry completely before returning into place.  
(*Note: Baffle Filters are top rack dishwasher safe.*)

## Replacing Light Bulb

**CAUTION: HALOGEN LIGHT UNIT MAY BE HOT! WAIT UNTIL UNIT IS COOL.**



1. Make sure all controls are off, and range hood is unplugged.
2. Place the flat-headed screwdriver into the groove of the halogen light glass covering and the housing. ①
3. Pop out the halogen light glass covering. ②
4. Gently pull out the defective light bulb and discard. Light bulbs should be 12V 20W maximum. ③
5. Using a cloth, hold the new light bulb and push securely into light socket.
6. Return halogen light glass cover to the housing. ④
7. Turn range hood ON to test for operation.

## SPECIFICATIONS

<b>MODEL / SIZE</b>	CH2730SQB / 30" CH2736SQB / 36" CH2742SQB / 42" CH2748SQB / 48"			
<b>COLOR</b>	Commercial Grade Stainless Steel			
<b>CONSUMPTION / AMPERE</b>	CH2730SQB – 232W / 2.21A CH2736SQB – 232W / 2.21A CH2742SQB – 253W / 2.38A CH2748SQB – 258W / 2.41A			
<b>NUMBER OF MOTORS</b>	2			
<b>DESIGN</b>	18-Gauge Seamless / Satin Finish			
<b>FAN TYPE</b>	Twin Turbine Impeller			
<b>EXHAUST</b>	Top – 6" Round 7" Round 3-1/4" x 10" Rectangular Rear – 3-1/4" x 10" Rectangular			
<b>CONTROLS</b>	Electronic Control (4 Buttons) – 10-Second Standby Startup 30-Second Delay Shutoff			
<b>HALOGEN LIGHTS Or LED (if Available)</b>	CH2730SQB - 12V 20W x 2 CH2736SQB - 12V 20W x 2 CH2742SQB - 12V 20W x 3 CH2748SQB - 12V 20W x 3			
<b>HOOD DIMENSION (W x D x H)</b>	(CH2730SQB) 29-3/4" x 22" x 7" (CH2736SQB) 35-3/4" x 22" x 7" (CH2742SQB) 41-3/4" x 22" x 7" (CH2748SQB) 47-3/4" x 22" x 7"			
<b>OPTIONAL ACCESSORIES (W x D x H)</b>	1) Two-Piece Adjustable Duct Cover (CH1120DC) 11-3/4" x 10-1/4" x (20-5/8" ~ 39-3/4") 2) 30" Stainless Steel Back Panel (SSP30) 30" x 1/10" x 32" 3) 36" Stainless Steel Back Panel (SSP36) 36" x 1/10" x 32"			
<b>WEIGHT (lbs)</b>		<u>Net</u>	<u>Gross</u>	
	(CH2730SQB)	45.2	64.0	
	(CH2736SQB)	46.2	66.0	
	(CH2742SQB)	49.6	70.5	
	(CH2748SQB)	53.0	75.0	
<b>SPEED</b>	QuietMode™	Low	Medium	High
<b>Air Capacity (cfm)*</b>	280	430	580	720
<b>Sone</b>	1.0*	2.8	4.2	4.5

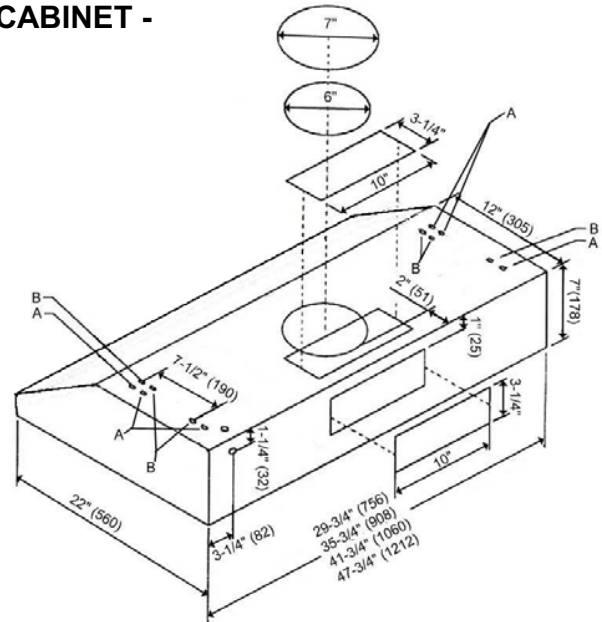
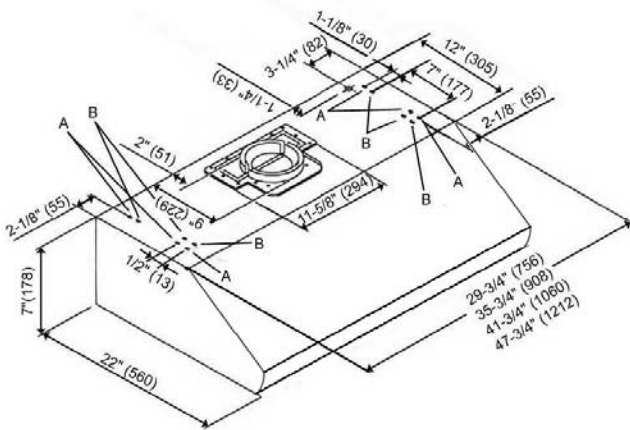
\*In House Test Static Pressure "0". One sone is equivalent to the sound of a refrigerator at 40 decibels.

\*\*Specifications subject to change without notice.

## MEASUREMENTS & DIAGRAMS

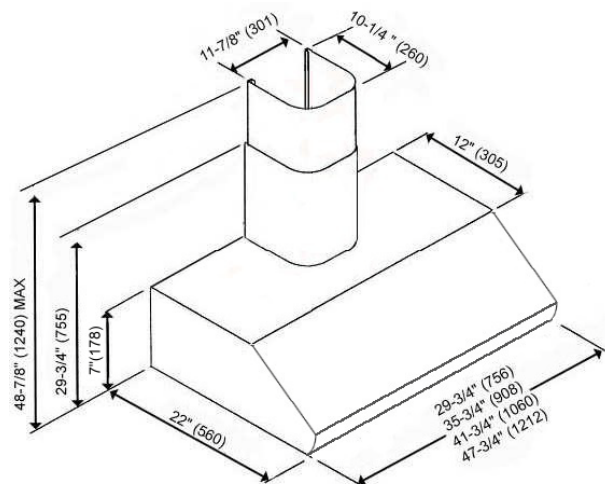
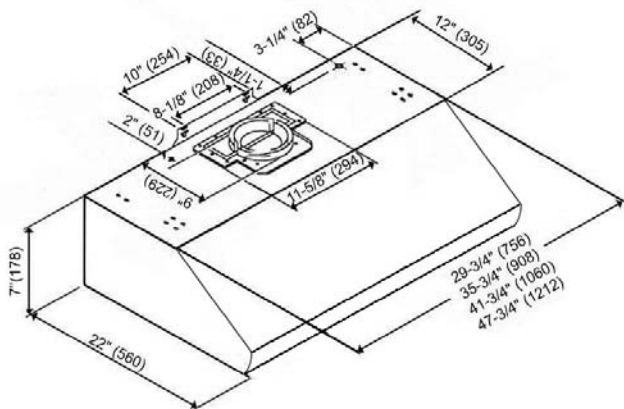
\*\*\*All inch measurements are converted from millimeters. Inch measurements are estimated.  
 \*\*\*All measurements in ( ) are millimeters.

### - FOR UNDER THE CABINET -



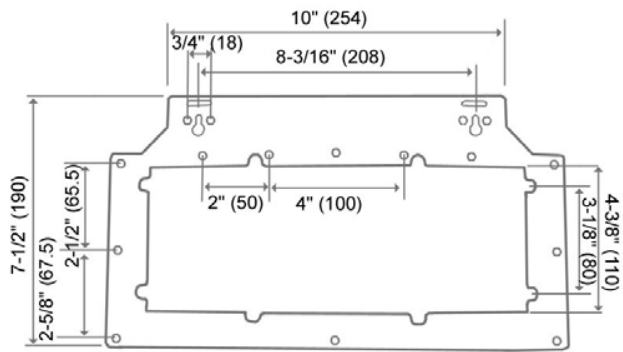
30" = Knockout Holes "A"  
 36", 42", 48" = Knockout Holes "A" & "B"

### - FOR STAND ALONE (WITH OPTIONAL DUCT COVER) -

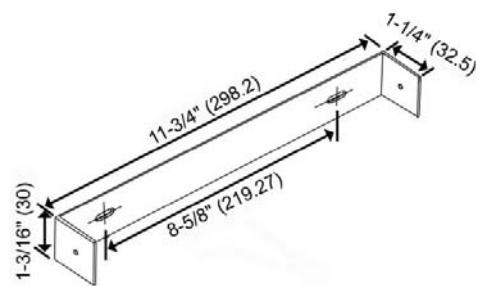




\*\*\*Hood-Mounting Bracket



\*\*\*Duct Cover-Mounting Bracket



## PARTS LIST

**MODEL NO.:** CH2730SQB CH2736SQB  
CH2742SQB CH2748SQB

NO.	DESCRIPTION	MODEL /SIZE	PART NO.
1	Multi Duct Exhaust		C1-0507-1530
2	Vent Cover (Top)		B101-1530-12
3	Vent Cover (Rear)		C1-0508-1530-A
4	Vent Cover Frame		C1-0508-1530-B
5	Hood Casing	CH2730SQB	10-4930B-51
		CH2736SQB	10-4936B-51
		CH2742SQB	10-4942B-51
		CH2748SQB	10-4948B-51
6	Halogen Light (12V 20W Max.)		C1-0403-0101
7	Control Unit		C1-0501-0101
8	Control Board		C1-0404-4001-A
9	Transformer Support		C1-0201-1530
10	Transformer (Motor)	CH2730SQB	C1-0402-0120-40
		CH2736SQB	C1-0402-0120-40
		CH2742SQB	C1-0402-0120-60
		CH2748SQB	C1-0402-0120-60
11	Air Chamber		
	Air Chamber (Top)	CH2730SQB	C1-0101-1530
	Air Chamber (Side)	CH2736SQB	C1-0102-1530
	Air Chamber (Top)	CH2742SQB	C1-0101-1542
	Air Chamber (Side)	CH2748SQB	C1-0102-1542
12	Transformer (Light)		C1-0402-A120-01
13	Capacitor		C1-0401-0120-01
14	Processor Board Box		C1-0501-0102
15	Processor Board		C1-0404-4110-B
16	Round Head Screw (1/8" x 3/8")		C1-0708-0003
17	Motor Position Screw (TS 1/4 x 7/16)		C1-0703-0001
18	Motor (Right)		C1-0301-0120-23B
19	Motor (Left)		C1-0301-0120-23A
20	Turbine Impeller ( Right)		C1-0251-0880-B
21	Turbine Impeller ( Left)		C1-0251-0880-A
22	Oil Tunnel Seal		C1-0502-0301
23	Oil Tunnel		C1-0502-0102
24	Impeller Plastic Cover		C1-0251-0001
25	Safety Screen		C1-0602-0101
26	Safety Screen Screw		C1-0705-0001
27	Baffle filter		B101-4930-09
28	Bottom Casing		B101-4930-09

(Optional Duct Cover)

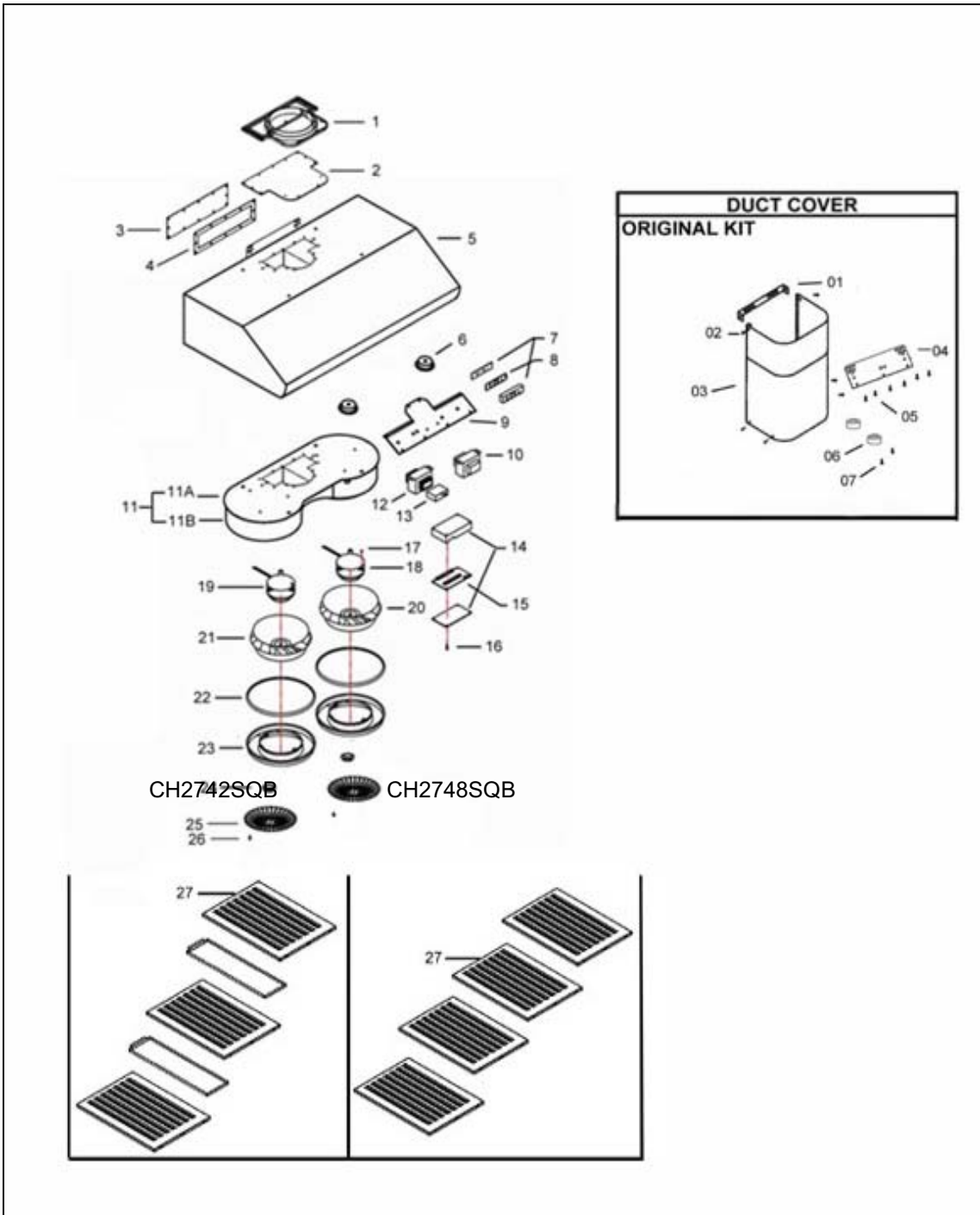
NO.	DESCRIPTION	MODEL /SIZE	PART NO.
01	Hood-Mounting Bracket		C1-0221-1530
02	Screws (TS 4 x 8 mm)		C1-0708-0006
03	Duct Cover	CH1120DC	12-15300-51
04	Duct Cover-Mounting Bracket		C1-0221-1530
05	Screw (3/16" x 3/8")		C1-0707-0001
06	Rubber Stand		C1-0511-0382
07	Screw ( TS 4 x 8 mm)		C1-0708-0006

**MODEL NO.: CH2730SQB  
CH2736SQB**

CH2730SQB

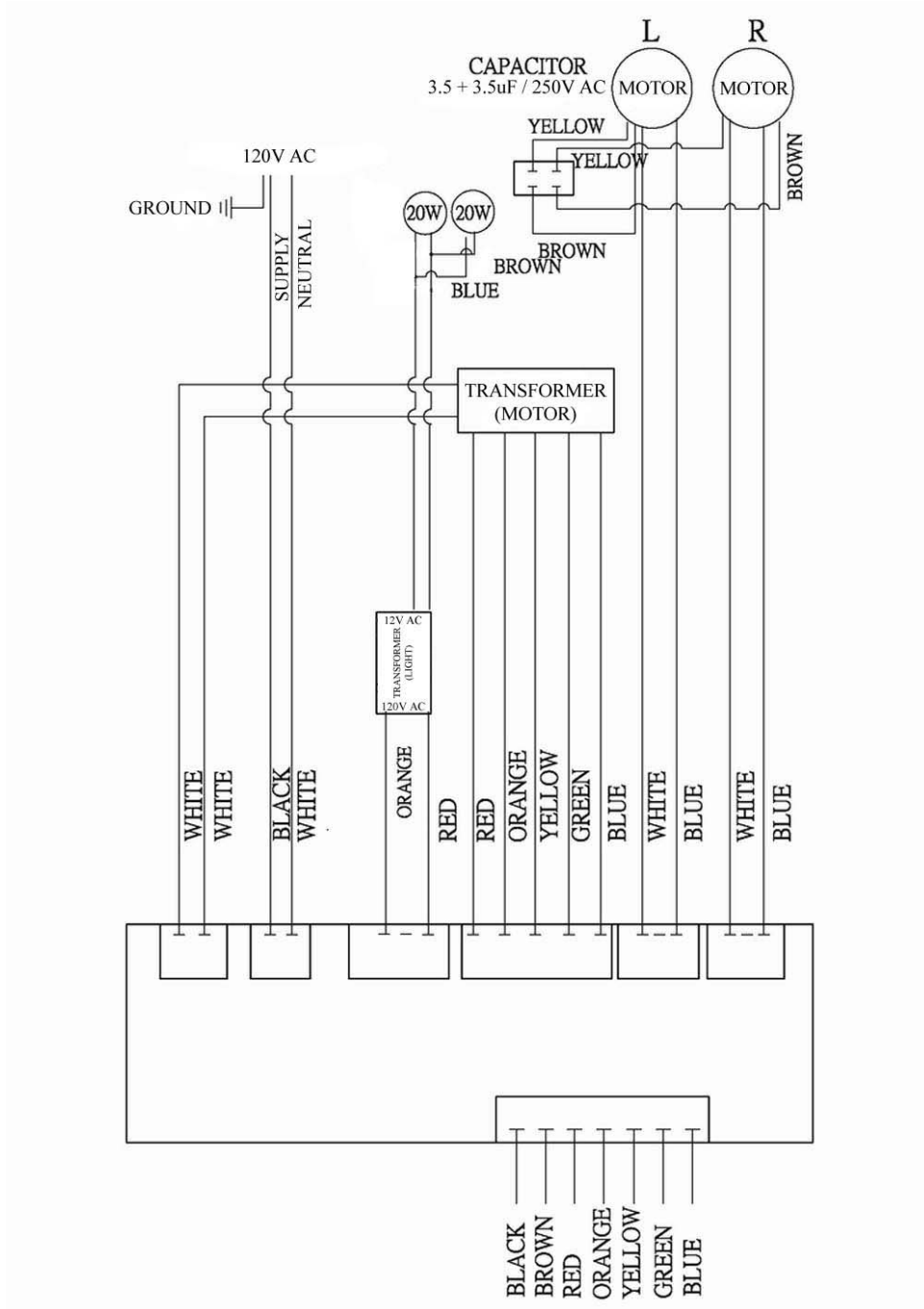
CH2736SQB

MODEL NO.: CH2742SQB  
CH2748SQB

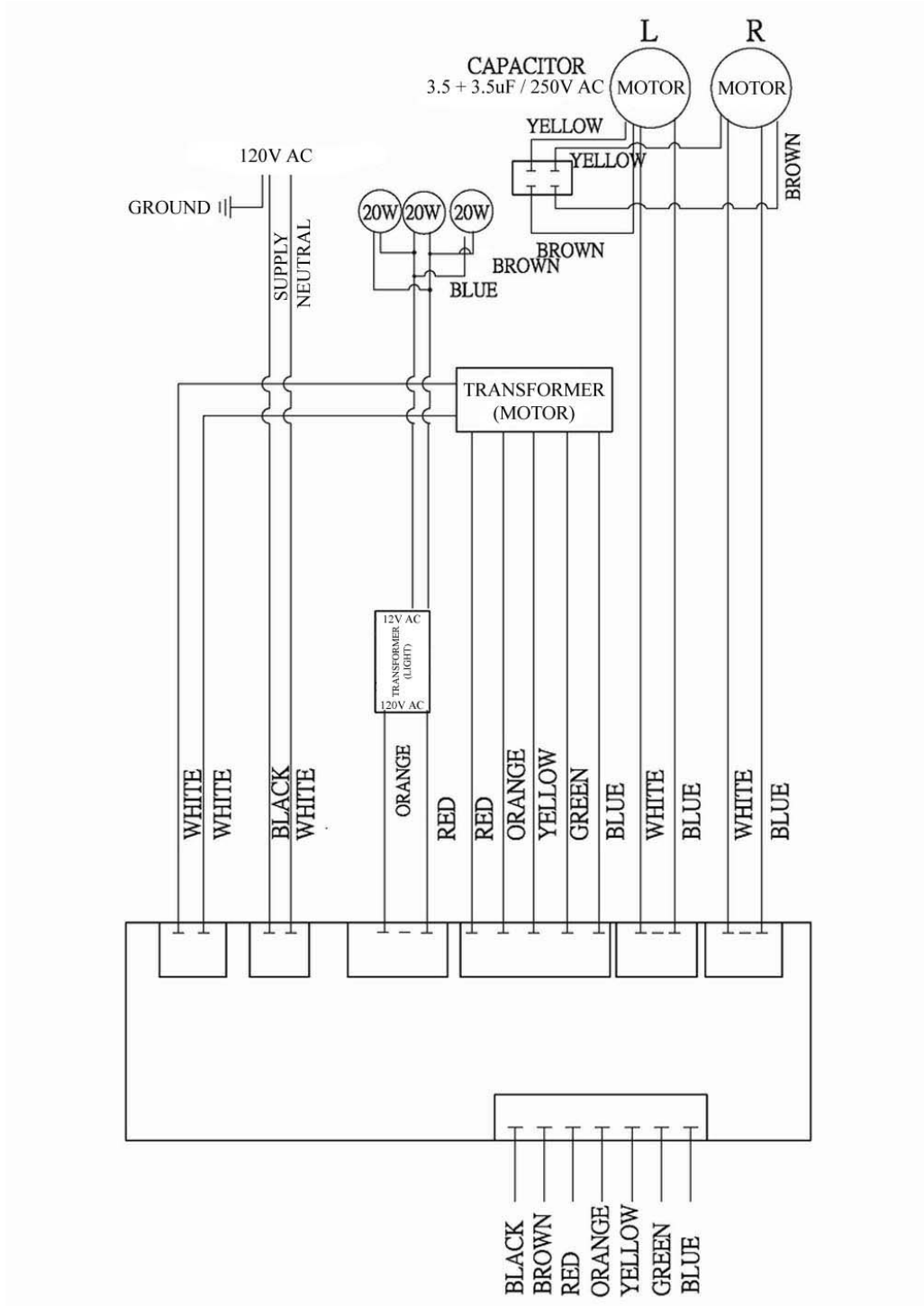


# CIRCUIT DIAGRAM

MODEL NO.: CH2730SQB  
CH2736SQB



MODEL NO.: CH2742SQB  
CH2748SQB



## TROUBLE SHOOTING

Issue	Possible Cause	Solution
After Installation, both motors and lights are not working.	The power is not on.	Make sure the circuit breaker and the unit's power is ON. Use a voltage meter to check the power supply.
	The wire connection is not secure.	Check and tighten wire connection.
	The control panel and processor board wiring are disconnected.	Check wire continuity from control panel to processor board.
	The motor transformer is defective.	Check the power input and power output on the motor transformer. If it's needed, replace the motor transformer.
The control panel and processor board is defective.	The control panel and processor board is defective.	Replace the control panel or processor board.
	The motor(s) is defective.	Replace the motor.
	The capacitor(s) is defective.	Replace capacitor(s).
	The control panel or processor board is defective.	Replace the control panel or processing board.
The range hood is vibrating.	The blower system is not secure.	Tighten the turbine impeller/squirrel cage and air chamber.
	The turbine impeller/squirrel cage is not balanced.	Replace the turbine impeller/squirrel cage.
	Hood is not secured in place.	Check the installation of hood, tighten the mounting bracket.
The motor is working, but the lights are not working.	Halogen Light bulb(s) is defective.	Try placing the trouble light bulb(s) to a working socket, if the bulb(s) still doesn't work; replace the halogen light bulb(s).
	The light wiring(s) is loose.	Check wire continuity from processor board to light transformer to halogen light housing(s).
	Light transformer is defective.	Check power input and power output on the light transformer. If it's needed, replace the light transformer.
	The control panel or processor board is defective.	Replace the control panel or processing board.
The range hood is not venting out correctly.	The range hood is installed outside of the manufacture recommended clearance.	Adjust the clearance between the range hoods and cook top to 27" to 30". For Island range hood, the clearance between the range hoods and cook top is 30" to 36".
	There is no make-up air inside the house.	Open the window to enhance the performance of the range hood by creating a sufficient make-up air.
	Obstacle blocking the pipe work.	Remove all obstacles from the duct work.
	The pipe size is smaller than the suggested pipe size.	Change the ducting according to the manufacture suggestion.
Cold air is coming into the home.	The pipe connection is not properly sealed.	Check the pipe installation.
	The damper is not properly installed or is missing from the installation.	Check the damper installation.
	The damper is not installed.	By installing the damper, it will help to eliminate air backflow.

## DISCLAIMER

1. **CAREFULLY INSPECT ALL ITEMS FOR DAMAGES BEFORE ACCEPTING DELIVERY. NOTE ANY DAMAGES ON THE FREIGHT BILL OR EXPRESS RECEIPT. REQUEST NAME AND SIGNATURE OF THE CARRIER'S AGENT AND KEEP COPY TO SUPPORT YOUR CLAIM.**

Upon acceptance of items, owner assumes responsibility for its safe arrival. Report damages to the carrier and file a claim immediately. Failure to do so may result in the denial of your claim. The carrier will furnish you with necessary forms for filing a claim.

**DAMAGES CAUSED DURING TRANSIT ARE NOT COVERED UNDER OUR WARRANTY.**

2. **PLEASE INSPECT CONTENTS OF PACKAGE(S) CAREFULLY UPON RECEIVING!**

We must be notified in writing of any damages and/or missing parts within the allocated days upon your receipt of package(s). Contact your local KOBE dealer or distributor or call KOBE for the time limit.

**CLAIMS WILL NOT BE ACCEPTED AFTER THE ALLOCATED DAYS.**

NOTE: ITEMS WERE THOROUGHLY TESTED AND CAREFULLY PACKED IN OUR FACTORY BEFORE SHIPPING.

3. Products must be returned in good working condition with ALL original parts and documentation packed in ALL original cartons, fillers and shipping cartons. A restocking fee of 25% will be charged for all approved return(s).

**EXCHANGES OR RETURNS MAY NOT BE ACCEPTED IF ANY PACKAGING IS MISSING.**

4. **MAKE SURE TO INSPECT THE HOOD FOR DAMAGES AND DEFECTS BEFORE INSTALLATION.** Appearance flaws of the hood found after installation and not affecting hood performance is not covered under our warranty for returns or exchanges. Service visits not covered under warranty will carry a service charge.

A) Before Installation: Return for exchange or refund (please see above for acceptable returns).

B) After Installation: **NO** exchange or refund.



## **WARRANTY**

### **WARRANTY CERTIFICATE**

KOBE Range Hoods, warrants all products manufactured or supplied by it to be free from defects in workmanship and materials. Its obligations pursuant to this warranty are limited to a period of two years from the date of purchase and to the repair or replacement at its option and subject to the terms and conditions stated below, of any component part, which its examination shall disclose to be so defective.

### **TWO-YEAR WARRANTY SERVICE PERIOD**

Any covered failure occurring within two years of original purchase arising from defective workmanship or material in manufacture will be repaired (or at our discretion, replaced) free of charge by an authorized KOBE Range Hoods Agent or KOBE Range Hoods as applicable. Keep proof of purchase (or original invoice) handy for inspection.

If the range hood is sold by the original purchaser during the warranty period the new owner is protected until expiration of the original purchaser's warranty.

### **CONDITIONS**

The following conditions apply only in relation to the warranty expressly given in this certificate.

- 1) This warranty applies only:
  - a) within U.S.A. and Canada.
  - b) to range hoods used for PRIVATE SINGLE FAMILY USE (if used for COMMERCIAL or MULTIPLE FAMILY USE or other purposes, warranty will be voided).
- 2) Repair of any fault to be provided under this warranty shall not be provided:
  - a) if the identification number attached to the range hood has been altered, rendered illegible or removed;
  - b) if notice of the defect has not been given within the period applicable;
  - c) for failure of light bulbs or heat lamps;
  - d) for physical damage;
  - e) for surfaces damaged by use of improper chemical cleaning agents;
  - f) if the appliance has been:
    - i) subject to misuse, abuse, negligence, accident, incorrect installation or failure to follow the operating instructions;
    - ii) connected to improper, inadequate or faulty electricity service or exhaust ducts, flues or duct cover, or operated using incorrect or contaminated lubricants;
    - iii) installed, maintained or operated otherwise than in accordance with the instructions furnished by KOBE Range Hoods including the improper use of detergents, bleaches, or cleaners.
  - g) for damage to range hood during transit, delivery, installation or removal;
  - h) for damage by or resulting from attempted repairs conducted by anyone other than our Authorized Service Agent.
  - i) noise or vibration caused by improper installation of range hood and/or damper.

- 3) The purchaser shall be responsible for any expenses involved in making the range hood readily accessible for servicing and where the range hood is installed outside the main sales territory of the retailer or service territory of the nearest approved KOBE Range Hoods Agent as applicable, for any traveling expenses and any costs of transporting the range hood or parts thereof to and from the dealer or Service Agent
- 4) The purchaser must produce proof of purchase together with this warranty certificate when making the claim.
- 5) Damages caused during shipment are not covered under our warranty.

### **CONSEQUENTIAL DAMAGE**

The warrantor is not responsible for any consequential damage. SOME STATES DO NOT ALLOW THE EXCLUSION OF CONSEQUENTIAL DAMAGE SO THE ABOVE EXCLUSION MAY NOT APPLY TO YOU.

### **IMPLIED WARRANTIES/STATE LAW**

Any implied warranties, including the implied warranty of merchantability and fitness for purpose, imposed on the sale by the laws of the state of sale are limited to two year from the date of original purchase. Some states do not allow limitations on the duration of implied warranties. This warranty gives you specific legal rights, and may also have rights, which vary from state to state.

### **SERVICE**

For service contact:

KOBE Range Hoods  
11775 Clark Street  
Arcadia, CA 91006  
U.S.A.  
Tel: (626) 775-8880  
Email: [customer.service@KOBERangeHoods.com](mailto:customer.service@KOBERangeHoods.com)  
Website: [www.KOBERangeHoods.com](http://www.KOBERangeHoods.com)

## **PRODUCT REGISTRATION**

### **Register Your Product!**

Any covered failure occurring within two years of original purchase arising from defective workmanship or material in manufacture will be repaired or at our option the unit will be replaced free of charge by an authorized KOBE Range Hoods Agent or KOBE Range Hoods as applicable. Keep proof of purchase (original invoice) handy for inspection.

If the range hood is sold by the original purchaser during the warranty period the new owner is protected until expiration of the original purchaser's warranty. See warranty section for complete warranty coverage information.

This appliance has been manufactured, tested, and inspected to the standards required by KOBE Range Hoods.

### **PLEASE MAIL IN YOUR WARRANTY REGISTRATION CARD AND PROOF OF PURCHASE TO:**

KOBE Range Hoods  
Warranty Registration  
11775 Clark Street  
Arcadia, CA 91006  
U.S.A.

### **RECORD THE FOLLOWING INFORMATION FOR YOUR RECORD:**

Model No. \_\_\_\_\_

Serial No. \_\_\_\_\_

Purchased Date    \_\_\_\_ / \_\_\_\_ / \_\_\_\_

Purchased From:

\_\_\_\_\_

\_\_\_\_\_

\_\_\_\_\_

**IMPORTANT: PLEASE KEEP A COPY OF YOUR SALE RECEIPT OR INVOICE HANDY WHEN REQUESTING FOR SERVICE.**

## [FRENCH]

- LIRE ET CONSERVER CES INSTRUCTIONS -

### TABLE DES MATIÈRES

MESURES DE SÉCURITÉ IMPORTANTES.....	35
CONTENU DE LA BOÎTE.....	37
INSTALLATION.....	38
MODE D'EMPLOI.....	51
ENTRETIEN- NETTOYAGE.....	52
SPÉCIFICATIONS .....	54
MESURES et DIAGRAMMES .....	55
LISTE DES PIÈCES.....	57
DIAGRAMME DES CIRCUITS .....	60
TROUBLE SHOOTING .....	62
AVIS DE NON-RESPONSABILITÉ .....	63
GARANTIE.....	64
ENREGISTREMENT DU PRODUIT.....	66

- LIRE ATTENTIVEMENT TOUTES LES CONSIGNES AVANT DE  
COMMENCER -

TOUT LE CÂBLAGE ÉLECTRIQUE DOIT ÊTRE EFFECTUÉ PAR UN PROFESSIONNEL  
EN CONFORMITÉ AVEC LES CODES D'ÉLECTRICITÉ LOCAUX ET NATIONAUX



## MESURES DE SÉCURITÉ IMPORTANTES

- SVP LIRE CETTE SECTION ATTENTIVEMENT AVANT L'INSTALLATION -

### **⚠️ AVERTISSEMENT : AFIN DE RÉDUIRE LES RISQUES D'INCENDIE, DE CHOC ÉLECTRIQUE ET DE BLESSURES, RESPECTER LES CONSIGNES SUIVANTES :**

- 1) L'installation et le câblage électrique doivent être effectués par des techniciens qualifiés et en conformité avec tous les codes et toutes les normes qui s'appliquent même pour les constructions ignifugées.
- 2) Lorsque vous découpez ou percez un mur ou un plafond, prendre soin de ne pas endommager le filage électrique ou autres conduits cachés.
- 3) Les hottes à évacuation doivent être évacuées à l'extérieur.
  - a) Avant une réparation, un entretien préventif ou un nettoyage, ouvrir le panneau de la lumière et **COUPER LE COURANT ÉLECTRIQUE SUR LE TABLEAU DE DISTRIBUTION.**
  - b) Nettoyer le ventilateur, le filtre optionnel et les surfaces chargées de graisse fréquemment. Afin de réduire les risques d'incendie et afin de disperser l'air adéquatement, évacuer l'air à l'extérieur. **NE PAS** ventiler l'air d'évacuation dans les murs, les greniers, les vides sanitaires ou les garages.

NOTE - La garantie de cet appareil sera nulle sans le reçu d'un distributeur autorisé de KOBÉ ou si l'appareil est endommagé par une utilisation inadéquate, une installation déficiente, un usage inapproprié, un mauvais traitement, de la négligence ou par toute autre circonstance échappant au contrôle des distributeurs autorisés de KOBÉ. Toute réparation effectuée sans la supervision d'un agent autorisé de KOBÉ annulera automatiquement la garantie.

- KOBÉ se dégage de toute responsabilité face à des dommages à la propriété personnelle ou aux biens immeubles ou encore à des blessures corporelles causées directement ou indirectement par la hotte de cuisinière.

### **⚠️ AVERTISSEMENT : AFIN DE RÉDUIRE LES RISQUES DE BLESSURES CORPORELLES DANS L'ÉVENTUALITÉ D'UN INCENDIE DE GRAISSE SE DÉCLARANT SOUS LA HOTTE DE CUISINIÈRE :**

1. Tenir toujours propres le ventilateur, les filtres déflecteurs, s'il y en a, et les surfaces chargées de graisse.
2. Toujours faire fonctionner la hotte lors d'une cuisson à température élevée.
3. Utiliser les vitesses élevées de la hotte **UNIQUEMENT** lorsque nécessaire. Chauffer l'huile lentement aux réglages de basses ou de moyennes vitesses.
4. Ne pas laisser la cuisinière sans surveillance lors de la cuisson.
5. Toujours utiliser les articles de cuisson et les ustensiles appropriés au type et à la quantité d'aliments préparés.
6. Utiliser l'appareil seulement pour l'usage auquel le fabricant l'a destiné.
7. Avant l'entretien courant, couper l'alimentation électrique au tableau de distribution principal et verrouiller ce dernier (si possible) pour éviter une mise en marche accidentelle.
8. Nettoyer les ventilateurs fréquemment.

### Que faire en cas d'un incendie de graisse sur la cuisinière

- ÉTOUFFER LES FLAMMES à l'aide d'un couvercle hermétique, une plaque à biscuits ou un plateau métallique, puis fermer le rond ou le brûleur. GARDER LES MATÉRIAUX INFLAMMABLES OU COMBUSTIBLES LOIN DES FLAMMES. Si les flammes ne s'éteignent pas immédiatement, ÉVACUER LA ZONE ET APPELER LE SERVICE D'INCENDIE ou le 911.
- NE JAMAIS SOULEVER UNE CASSEROLE EN FEU - Il y a risque de brûlure.
- NE PAS UTILISER D'EAU incluant serviettes ou linges à vaisselle mouillés - cela provoquerait un violent jet de vapeur.
- Utiliser un extincteur SEULEMENT si:
  - a) vous possédez un extincteur de classe A, B ou C et si vous savez vous en servir ;
  - b) le feu est petit et est contenu dans la zone de départ ;
  - c) vous avez appelé le service d'incendie ;
  - d) vous pouvez combattre le feu le dos près d'une sortie.

### Que faire si une odeur de gaz se dégage

- Éteindre toute flamme nue.
- Ne pas essayer d'allumer des lumières ou tout type d'appareil électroménager.
- Ouvrir toutes les portes et fenêtres afin de chasser le gaz. Si une odeur de gaz est toujours perceptible, appeler votre fournisseur de gaz ainsi que le service d'incendie immédiatement.

### **⚠ ATTENTION !**

- 1) Cette hotte doit être utilisée uniquement pour une ventilation normale. Ne pas s'en servir pour évacuer des substances et vapeurs dangereuses ou explosives.
- 2) Afin de réduire les risques d'incendie, employer seulement des conduits de métal. Il doit y avoir suffisamment d'air pour une combustion et une évacuation des gaz appropriées par le conduit de fumée (cheminée) afin d'éviter le refoulement d'air.
- 3) Suivre les directives et les consignes de sécurité des fabricants d'équipement de chauffage comme celles publiées par le *National Fire Protection Association (NFPA)* et l'*American Society for Heating, Refrigeration and Air Conditioning Engineers (ASHRAE)* de même que les codes en vigueur.
- 4) L'activation de tout interrupteur peut provoquer l'allumage ou une explosion.
- 5) En raison de la taille et du poids de la hotte, il est recommandé que deux personnes participent à l'installation.

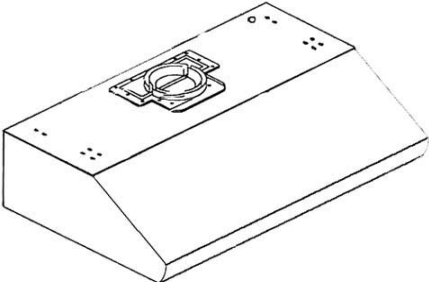

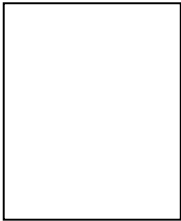
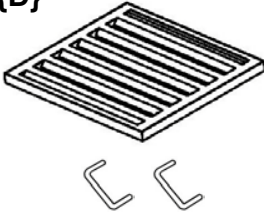
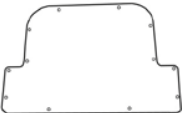
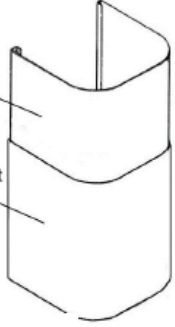




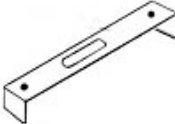
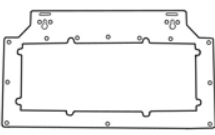
#### **⚠ AVERTISSEMENT**



**RISQUE DE CHOC ÉLECTRIQUE -** Pouvant entraîner la mort ou des blessures graves. Couper l'alimentation électrique à l'appareil avant tout entretien ou toute réparation. Si la hotte est munie d'une ampoule fluorescente, cette dernière contient une petite quantité de mercure et, en conséquence, elle doit être recyclée ou éliminée conformément aux codes locaux, provinciaux et fédéraux qui s'appliquent

## CONTENU DE LA BOÎTE

(Vous devez conserver tout le matériel pour les retours ou les remboursements)

Boîte contenant la hotte	Boîte du couvre conduit (vendu séparément)
<p> <b>A- Hotte KOBE®</b>  <b>B- Carte d'enregistrement de garantie</b>  <b>C- Manuel d'installation et d'opération</b>  <b>D- Boîtier de hotte</b>  <b>E- Plaque de sortie (verticale)</b> </p> <p>{A}</p>  <p>{B}</p>  <p>{C}</p>  <p>{D}</p>  <p>{E}</p> 	<p> <b>F- Couvre conduit KOBE® (Modèle # CH1120DC)</b>  <b>G- Ensemble de vis</b>  <b>H- Support de fixation du couvre conduit</b>  <b>I - Support de fixation - hotte</b> </p> <p>{F}</p> <p>Couvre conduit (intérieur)</p>  <p>Couvre conduit (extérieur)</p>  <p>{G}</p>  <p>3/16" x 3/8" ( 9 pcs)</p>  <p>4 x 8 mm ( 8 pcs)</p>  <p>Rubber Stand (2 pcs)</p> <p>{H}</p>  <p>{I}</p> 

- POUR DE PLUS AMPLES RENSEIGNEMENTS, VEUILLEZ VISITER NOTRE SITE WEB [www.KOBERangeHoods.com](http://www.KOBERangeHoods.com) OU COMMUNIQUER AVEC KOBE RANGE HOODS AU (626) 775-8880.

## INSTALLATION

VEUILLEZ LIRE ENTIÈREMENT LES INSTRUCTIONS AVANT DE PROCÉDER

### Calcul avant Installation

Planifiez toutes les étapes avant de procéder à l'installation de la hotte (Note : toutes les mesures sont en pouces) en tenant compte de éléments suivants : dimensions et emplacement de la hotte, système de conduits, exigences électriques et surfaces de montage adéquates.

### INSTALLATION SOUS LE CABINET

**TABLE 1** (vue de côté)

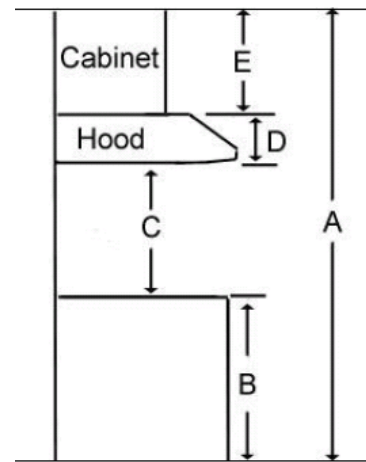
A = hauteur du plancher au plafond

B = hauteur du plancher jusqu'au comptoir/  
à la surface de cuisson (Normalement : 36 ")

C = hauteur recommandée entre le dessus du comptoir  
/surface de cuisson jusqu'au dessous de la hotte  
(Recommandation : 27" à 30")

D = hauteur de la hotte

E = hauteur du cabinet d'armoire



### MODÈLE ILOT (AVEC COUVRE CONDUIT OPTIONNEL)

**TABLE 2**(vue de côté)

A = hauteur du plancher au plafond

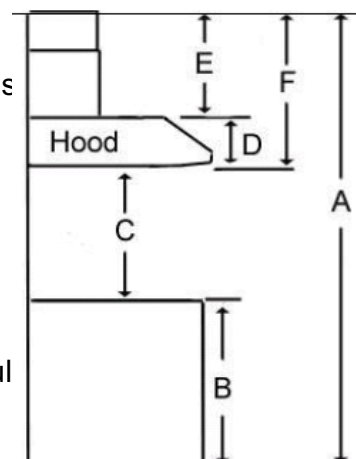
B = hauteur du plancher jusqu'au comptoir/ à la surface de cuis  
(Normalement : 36 ")

C = hauteur recommandée entre le dessus du comptoir  
/surface de cuisson jusqu'au dessous de la hotte  
(Recommandation : 27 "à 30")

D = hauteur de la hotte

E = hauteur du Couvre Conduit : calcul  $[F - D]$

F = hauteur recommandée pour l'installation de la hotte : calcul  
 $[A - (B+C)]$





## **AVERTISSEMENT**

**LES HOTTES COMPORTENT DES REBORDS TRÈS AFFILÉS; NOUS RECOMANDONS LE PORT DE GANTS PROTECTEURS LORS DE L'INSTALLATION, LE NETTOYAGE ET L'ENTRETIEN.**

**MISE EN GARDE : SOYEZ PRUDENT EN EMPLOYANT UN TOURNEVIS ÉLECTRIQUE, CELA POURRAIT ENDOMMAGER LA HOTTE.**

## INSTALLATIONS

### **SOUS LE CABINET**

Conduit Supérieur .....	40
Conduit Arrière .....	42

### **ILOT**

Conduit Supérieur .....	44
Conduit Arrière .....	47

## INSTALLATION SOUS LE CABINET - CONDUIT SUPÉRIEUR

### Préparation avant l'installation

NOTE : AFIN D'ÉVITER QUE VOTRE HOTTE NE SUBISSE DES DOMMAGES, ASSUREZ-VOUS QUE L'OUVERTURE N'EST PAS BLOQUÉE ET EMPÊCHER QUE DES DÉBRIS NE PENÈTRE DANS L'OUVERTURE DES CONDUITS.

- Planifier l'emplacement du conduit d'aération qui cheminera de la hotte vers l'extérieur.
- (Voir photo 1)
- Un parcours droit, court et dirigé permettra à la hotte de mieux performer.
- Il est toujours préférable de limiter le nombre de transitions, coudes et passages. Les changements de direction affecteront la performance de votre hotte.
- Connecter temporairement la hotte afin d'en vérifier le fonctionnement avant de procéder à l'installation finale.
- Retirer la pellicule protectrice de la hotte (s'il y a lieu).
- Lors d'une installation sous un cabinet : ajouter des fixations de bois d'au moins 4 pouces de large (non inclus) sur chaque côté. (Voir photo 2)
- Mesurer et prévoir un accès pour des fils électriques sous le cabinet.
- Couper le conduit d'échappement selon la taille du tuyau de décharge. (Voir photo 3)

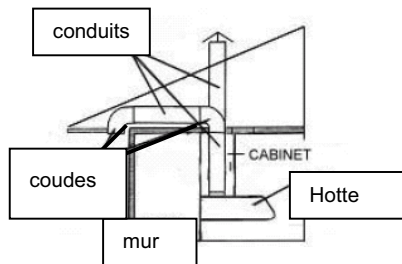


Photo 1

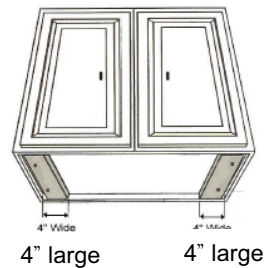


Photo 2

Photo 3



## Installation de la hotte :

**AVERTISSEMENT** : si vous devez déplacer la cuisinière pour installer la hotte, **arrêter l'alimentation électrique** sur l'appareil ainsi qu'à partir de la boîte principale, ou encore **enlevez l'alimentation en gaz** s'il s'agit d'un appareil au gaz.

1. Perforer les trous de décochage sur la hotte tel qu'indiqué à la photo 4.
2. Desserrer les six vis de boîtier du bas. Retirer le boîtier (si nécessaire) et placer les fils électriques pour qu'ils passent au travers de la perforation de 1 " de diamètre situé sur le dessus ou à l'arrière de la hotte. Veuillez vous référer à la photo 5.
3. En utilisant les références de la Table 1 et les mesures à la page 55 centrer la hotte capuchon en place au-dessous du cabinet et vis à vis le devant du cabinet.



Photo 4

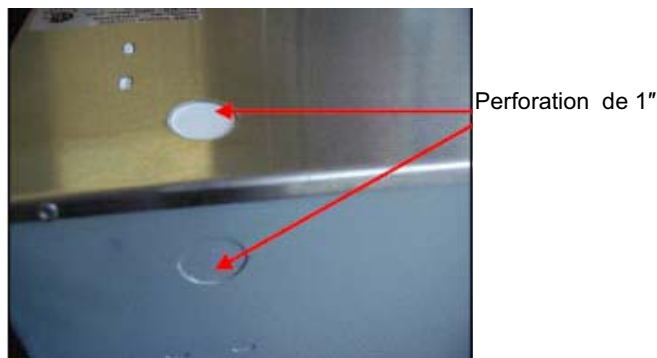


Photo 5

4. Passer les fils électriques au travers de l'ouverture d'accès des cabinets.
5. Insérer les vis en (non fournies) exactement au centre de chaque trou de décochage. Assurez-vous toutes les vis sont en place avant de les resserrer. **AVERTISSEMENT : ASSUREZ-VOUS QUE LA HOTTE EST SOLIDEMENT FIXÉE EN PLACE AVANT DE LA RELACHER.**

## Installation des conduits

6. Utiliser des tuyaux d'aluminium ou d'acier pour relier le joint de raccordement en plastique de la hotte aux conduits dessus. Utiliser du ruban adhésif pour sceller les joints sûrs et ainsi obtenir une parfaite étanchéité.

## INSTALLATION SOUS LE CABINET - CONDUIT ARRIÈRE

### Préparation avant installation :

**NOTE : AFIN D'ÉVITER QUE VOTRE HOTTE NE SUBISSE DES DOMMAGES, ASSUREZ-VOUS QUE L'OUVERTURE N'EST PAS BLOQUÉE ET EMPÊCHER QUE DES DÉBRIS NE PENÈTRE DANS L'OUVERTURE DES CONDUITS.**

- Planifier l'emplacement du conduit d'aération qui cheminera de la hotte vers l'extérieur.
- (Voir photo 6)
- Un parcours droit, court et dirigé permettra à la hotte de mieux performer.
- Il est toujours préférable de limiter le nombre de transitions, coudes et passages. Les changements de direction affecteront la performance de votre hotte.
- Connecter temporairement la hotte afin d'en vérifier le fonctionnement avant de procéder à l'installation finale.
- Retirer la pellicule protectrice de la hotte (s'il y a lieu).
- Lors d'une installation sous un cabinet : ajouter des fixations de bois d'au moins 4 pouces de large (non inclus) sur chaque côté. (Voir photo 7)
- - Mesurer et prévoir un accès pour les fils électriques sous le cabinet ou raccorder en passant par l'ouverture pour les fils à l'arrière de la hotte.
- Retirer les vis sur la plaque de sortie arrière et couper le long de la ligne d'ouverture du conduit intérieur. (Voir photo 8)
- Couper la plaque de sortie arrière et changez-la de côté. Référez-vous à la photo 9. Rattachez la plaque de sortie arrière.

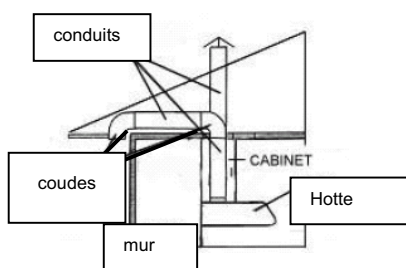


Photo 6

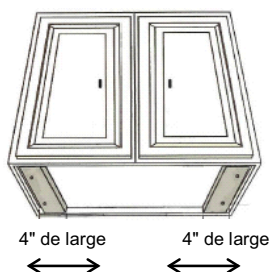


Photo 7



Couvercle intérieur (arrière)

Photo 8



Couvercle inversé (arrière)

Photo 9

**AVERTISSEMENT** : si vous devez déplacer la cuisinière pour installer la hotte, **arrêter l'alimentation électrique** sur l'appareil ainsi qu'à partir de la boîte principale, ou encore **enlevez l'alimentation en gaz** s'il s'agit d'un appareil au gaz.

1. Perforer les trous de décochage sur la hotte tel qu'indiqué à la photo 10.
2. Dévisser et retirer l'adaptateur de sortie multi conduits. Remplacez-le par la plaque de conduit {en forme de « E »} tel qu'indiqué à la photo 11.

Photo 10

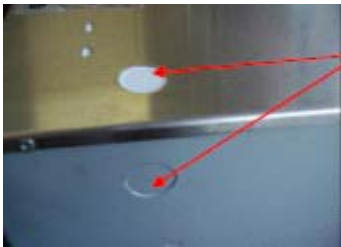


Photo 11



3. En utilisant les références de la Table 1 et les mesures à la page 55, centrer la hotte en place au-dessous du cabinet vis à vis le devant du cabinet.
4. Passer les fils électriques au travers de l'ouverture d'accès des cabinets.
5. Insérer les vis (non fournies) exactement au centre de chaque trou de décochage. Assurez-vous que toutes les vis sont en place avant de les resserrer.

**AVERTISSEMENT : ASSUREZ-VOUS QUE LA HOTTE EST SOLIDEMENT FIXÉE EN PLACE AVANT DE RELACHER L'APPAREIL.**



Trou 1" de diamètre

Photo 12

### Raccordement aux conduits

6. Utiliser des tuyaux d'aluminium ou d'acier pour relier le joint de raccordement en plastique de la hotte aux conduits dessus. Utiliser du ruban adhésif d'aluminium pour sceller les joints sûrs et ainsi obtenir une parfaite étanchéité

## INSTALLATION MODÈLE ILOT - CONDUIT SUPÉRIEUR

**ATTENTION** : Ce type d'installation doit être réalisée seulement avec un couvre conduit modèle CH1120DC.

### Préparation avant Installation

**NOTE : AFIN D'ÉVITER QUE VOTRE HOTTE NE SUBISSE DES DOMMAGES, ASSUREZ-VOUS QUE L'OUVERTURE N'EST PAS BLOQUÉE ET EMPÊCHER QUE DES DÉBRIS NE PENÈTRE DANS L'OUVERTURE DES CONDUITS.**

- Déterminer l'emplacement du conduit d'aération de la hotte vers l'extérieur. Référez-vous à la photo 13.
- Une canalisation droite, courte et dirigée permettra à la hotte de s'exécuter plus efficacement.
- Lorsque possible, diminuer le nombre de transitions, coudes et longueurs. Les changements de direction affecteront la performance de votre hotte.
- Utiliser un ruban adhésif (Duct tape) en toile pour sceller tous les joints, et ainsi assurer une parfaite étanchéité.
- Si nécessaire, préparez le mur arrière avec un soutien additionnel pour une installation sécuritaire.
- En utilisant les références à la Table 2 et les mesures à la page 55-56, régler la hauteur du soutien additionnel. Référez-vous à la photo 14.

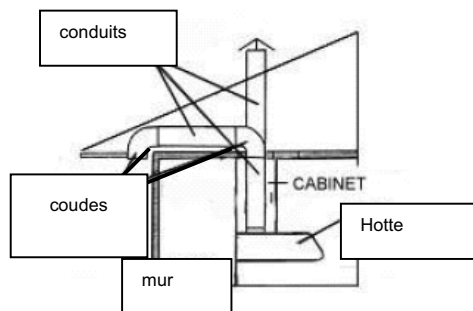


Photo 13

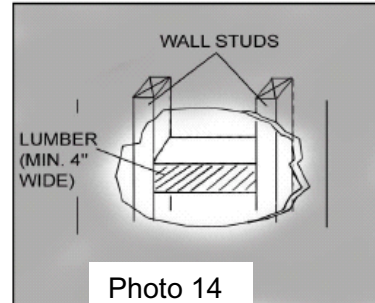


Photo 14

### Préparation de la hotte avant installation

- Fixer temporairement la hotte afin d'en évaluer le fonctionnement avant de procéder à l'installation permanente.
- Retirer le film protecteur de la hotte et du couvre conduit.
- Découper l'ouverture multi conduit selon la taille des tuyaux d'échappement. Référez-vous à la photo 15.



- Si nécessaire, fixer les deux fixations (fournies) en caoutchouc en compagnie des deux vis (4x8 mm) (fournies) à l'arrière de la hotte.
- Fixer le support de montage au dos de la hotte avec l'aide des neuf (3/16 "x 3/8") vis (fournies) tel qu'indiqué à la photo 16.

### **Installation de la hotte**

**AVERTISSEMENT** : si vous devez déplacer la cuisinière pour installer la hotte, **arrêter l'alimentation électrique** sur l'appareil ainsi qu'à partir de la boîte principale, ou encore **enlevez l'alimentation en gaz** s'il s'agit d'un appareil au gaz.

1. En utilisant en référence la Table 2 et les mesures à la page 55-56, repérez le point de nivellement de la hotte. Installer deux vis de fixation (non fournies) sur le mur, laissant 1/8 " d'espace par rapport au mur comme indiqué à la photo 17.
2. Aligner le support de montage avec les deux vis sur le mur et fixer la hotte en la hotte en place.

**AVERTISSEMENT : ASSUREZ-VOUS QUE LA HOTTE EST BIEN FIXÉE AVANT DE LA RELÂCHER.**



Photo 16



Vis de montage

Photo 17

### Installation avec couvre- conduits

3. Repérer la position de la fixation pour couvre conduit. Utiliser comme référence l'indication **E** de la Table 2 et les mesures à page 54-55. Attacher de façon sécuritaire la fixation pour couvre conduit à l'aide de deux vis (non fournies). Référez-vous à la photo 18. **NOTE : la doublure du couvre conduit masquera la fixation.**
4. Utiliser des conduits d'aluminium ou d'acier pour connecter la sortie arrière à la canalisation. Utiliser un ruban adhésif (Duct tape) en toile pour sceller tous les joints, et ainsi assurer une parfaite étanchéité.
5. Connecter des fils électriques.
6. Glisser la doublure du couvre conduit environ 2 pouces avant d'introduire le couvre conduit entier. Voir la photo 19.



7. Ajuster la hauteur de la doublure intérieure du couvre conduit à la fixation du couvre conduit. Sécuriser la doublure intérieure du couvre conduit avec deux (4x8 mm) vis (fournies) tel comme indiqué à la photo 20.



Attacher ensemble

8. Attacher la doublure extérieure du couvre conduit à l'adaptateur d'échappement multi conduits de la hotte avec les quatre vis 4 x 8 mm fournies.



## INSTALLATION ILOT - CONDUIT ARRIÈRE

Attention : Ce type d'installation doit être réalisée seulement avec un couvre conduit modèle CH1120DC.

### Préparation avant Installation

**NOTE : AFIN D'ÉVITER QUE VOTRE HOTTE NE SUBISSE DES DOMMAGES, ASSUREZ-VOUS QUE L'OUVERTURE N'EST PAS BLOQUÉE ET EMPÊCHER QUE DES DÉBRIS NE PENÈTRE DANS L'OUVERTURE DES CONDUITS.**

- Déterminer l'emplacement du conduit d'aération de la hotte vers l'extérieur. Référez-vous à la photo 21.
- Une canalisation droite, courte et dirigée permettra à la hotte de s'exécuter plus efficacement.
- Lorsque possible, diminuer le nombre de transitions, coudes et longueurs. Les changements de direction affecteront la performance de votre hotte.
- Utiliser un ruban adhésif (Duct tape) en toile pour sceller tous les joints, et ainsi d'assurer une parfaite étanchéité.
- Si nécessaire, préparez le mur arrière avec un soutien additionnel pour une installation sécuritaire.
- En utilisant les références à la Table 2 et les mesures à la page 55-56, régler la hauteur du soutien additionnel. Référez-vous à la photo 22.

### Préparation de la hotte avant Installation

- Fixer temporairement la hotte afin d'en évaluer le fonctionnement avant de procéder à l'installation permanente.
- Retirer le film protecteur de la hotte et du couvre conduit.
- Découper l'ouverture multi conduit selon la taille des tuyaux d'échappement. Référez-vous à la photo 15.

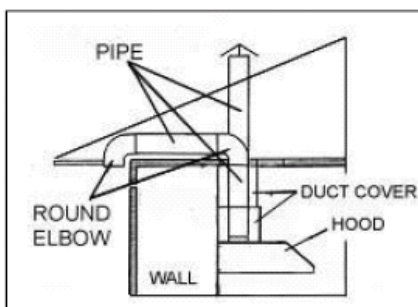


Photo 21

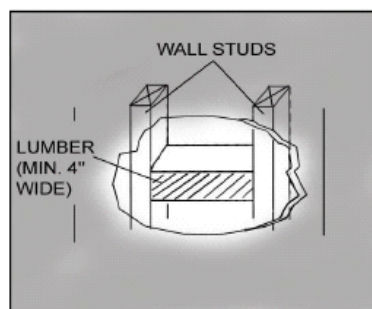


Photo 22

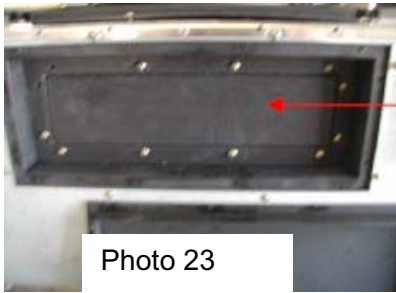


Photo 23

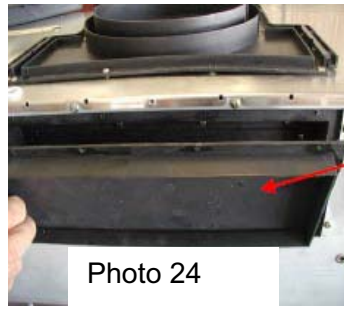


Photo 24

Adaptateur  
rectangulaire  
sortie  
arriere

- Si nécessaire, fixer les deux fixations (fournies) en caoutchouc en compagnie des deux vis (4x8 mm) (fournies) à l'arrière de la hotte.
- Fixer le support de montage au dos de la hotte avec l'aide des neuf (3/16 "x 3/8") vis (fournies) tel qu'indiqué à la photo 25.

### Installation de la hotte

**AVERTISSEMENT** : si vous devez déplacer la cuisinière pour installer la hotte, **arrêter l'alimentation électrique** sur l'appareil ainsi qu'à partir de la boîte principale, ou encore **enlevez l'alimentation en gaz** s'il s'agit d'un appareil au gaz.

1. En utilisant en référence la Table 2 et les mesures à la page 55-56, repérez le point de nivellement de la hotte. Installer deux vis de fixation (non fournies) sur le mur, laissant 1/8 " d'espace par rapport au mur comme indiqué à la photo 26.



Photo 25

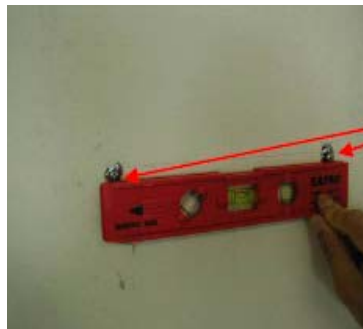


Photo 26

Vis de montage

2. Utiliser un ruban adhésif (Duct tape) en toile pour sceller tous les joints, et ainsi assurer une parfaite étanchéité.

3. Aligner le support de montage avec les deux vis sur le mur et fixer la hotte en la hotte en place.

**AVERTISSEMENT : ASSUREZ-VOUS QUE LA HOTTE EST BIEN FIXÉE AVANT DE LA RELÂCHER.**

### Installation avec couvre- conduit

4. Repérer la position de la fixation pour couvre conduit. Utiliser comme référence l'indication **E** de la Table deux (2) et le mesures à page 54-55. Attacher de façon sécuritaire la fixation pour couvre conduit à l'aide de deux vis (non fournies). Référez-vous à la photo 27. **NOTE : la doublure du couvre conduit masquera la fixation.**
5. Connecter des fils électriques.
6. Glisser la doublure du couvre conduit environ 2 pouces avant d'introduire le couvre conduit entier. Voir la photo 28.



Photo 28

7. Ajuster la hauteur de la doublure intérieure du couvre conduit a la fixation du couvre conduit. Sécuriser la doublure intérieure du couvre conduit avec deux (4x8 mm) vis (fournies) tel comme indiqué à la photo 29.



Photo 29

8. Attacher la doublure extérieure du couvre conduit à l'adaptateur d'échappement multi conduits de la hotte avec les quatre vis 4x8 mm fournies.

## Connexion à l'alimentation d'énergie

### **AVERTISSEMENT DE SÉCURITÉ**

**POUR RÉDUIRE LE RISQUE D'INCENDIE OU D'ÉLECTROCUTION L'APPAREIL DOIT ÊTRE CORRECTEMENT MIS A LA TERRE. LES TRAVAUX D'INSTALLATION ET DE CÂBLAGE ÉLECTRIQUE DOIVENT ÊTRE FAITS PAR UN ÉLECTRICIEN QUALIFIÉ CONFORMÉMENT AUX CODES NATIONAUX ET LOCAUX ÉLECTRIQUES APPLICABLES.**

**AVANT DE CONNECTER CET APPAREIL : ÉTEIGNEZ L'ALIMENTATION À PARTIR DU PANNEAU ÉLECTRIQUE PRINCIPAL ET BLOQUER LE DISPOSITIF DE DÉCONNEXION POUR EMPÊCHER QUE LE POUVOIR NE SOIT ACCIDENTELLEMENT RALLUMÉ.**

Connecter les fils électriques.

- Si nécessaire, pour cacher les connexions électriques, poussez les fils derrière dans la boîte de câblage. Pour accéder aux connexions électriques (situées sous la hotte) simplement retirer les vis retenant le panneau pare éclaboussure (dessous du boîtier de la hotte). Avant de rassembler le panneau pare éclaboussure, assurez-vous que les fils ne se glissent pas entre les moteurs, les turbines, ou n'importe quelles composantes pouvant causer des dommages à l'appareil .
- Connecter les trois fils (noir, blanc et vert) aux fils de la maison et couvrez-les avec des capuchons de connexion.
- Unir les fils selon la couleur : noir à noir (sous tension), blanc à blanc (neutre), et vert à vert (mise à la terre)
- Tester la fonctionnalité de la hotte avant de poursuivre. Assurez-vous que l'alimentation électrique circule jusqu'à la hotte.

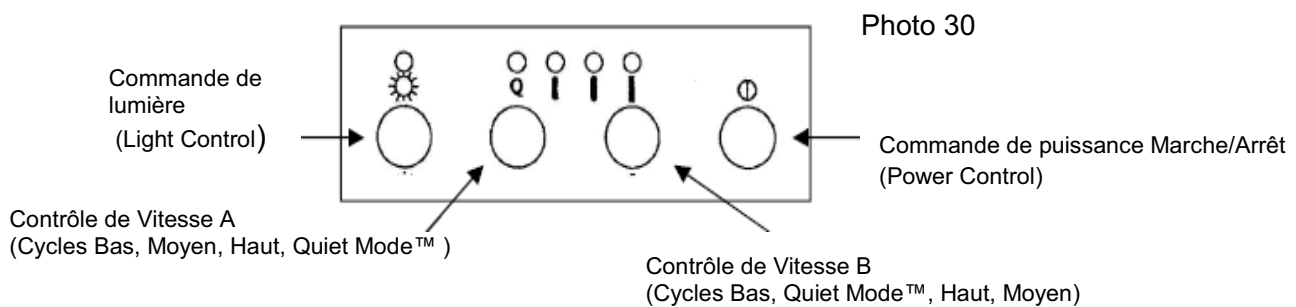
## Assemblage final

1. Allumer la hotte avec la commande « ON » sur le panneau de commandes. Vérifiez les lumières et les commandes de vitesses.
2. Assurez-vous de laisser ce manuel au propriétaire.

## MODE D'EMPLOI

Cette hotte KOBE® est pourvue de quatre commandes électroniques, un démarrage avec mise en garde de 10 secondes, un dispositif d'arrêt à retardement, deux (2) puissants ventilateurs centrifuges avec grilles de sécurité, deux lampes halogènes de 12 Volts, 20 Watt, ainsi que 4 contenant récupérateurs de graisses.

Les quatre commandes électroniques sont « Light control » : le Contrôle de Vitesse A (cycles Bas, Moyen, Haut et « Quiet Mode™ »), le contrôle de Vitesse B (cycles bas, « Quiet Mode™ », Haut et Moyen) et le contrôle de "Marche/Arrêt". Voir photo 30.



### Mise en marche :

- Mettre les ventilateurs en marche en utilisant les boutons de contrôles Marche/Arrêt (Power Control) une fois. Si un des boutons de contrôle de vitesse n'est pas allumé en 10 secondes l'appareil s'éteindra.
- La hotte KOBE® débutera à la basse vitesse. Chaque touche du bouton de contrôle de vitesse changera le niveau de vitesses.
- Appuyer sur le contrôle de Vitesse A pour cheminer aux cycles Bas, Moyen, Haut, ou « Quiet Mode ».
- Appuyer sur le contrôle de Vitesse B pour cheminer aux cycles Bas, « Quiet Mode » Haut ou Moyen.
- Appuyer sur la commande « light control » pour allumer les lampes halogènes.

### Arrêt:

- Appuyer sur le bouton de contrôle Marche/Arrêt (Power Control) une fois, les lumières du panneau clignoteront et l'appareil s'éteindra après 30 secondes.

### OU

- Appuyer sur le bouton de contrôle Marche/Arrêt (Power Control) deux (2) fois, et l'appareil s'éteindra instantanément.
- Si seulement les lampes halogènes sont allumées, appuyer une fois sur le Contrôle de puissance «Marche/Arrêt" et l'appareil s'éteindra après 30 secondes.

## **ENTRETIEN- NETTOYAGE**

**AVERTISSEMENT : NE VOUS APPROCHER JAMAIS DES LAMES DE VENTILATEURS LORSQUE L'APPAREIL EST EN OPÉRATION.**

Pour le niveau optimal d'opération, nettoyez la surface, les grilles de sécurité et les récipients à graisses régulièrement.

### **POUR NETTOYER LES SURFACES DE LA HOTTE**

**AVERTISSEMENT : N'EMPLOYEZ JAMAIS DE NETTOYEURS OU TAMPONS ABRASIFS, de plus un entretien régulier aidera à préserver sa bonne apparence.**

1. Pour nettoyer, utiliser seulement un détergent ou un savon doux. Essuyer les surfaces avec un chiffon de coton propre.
2. Si la hotte a des taches ou des éclaboussures (fini acier inoxydable), utiliser un nettoyant à base citrus pour nettoyer la surface. (Empêcher le nettoyant d'entrer en contact avec les boutons de commandes) Seulement étendre une mince couche sur la surface de la hotte et le laisser agir pendant quelques secondes. Ne pas laisser le produit nettoyant agir trop longtemps, cela pourrait endommager le fini de la hotte. Employer un linge doux pour essuyer. Frotter légèrement les taches plus tenaces. Utiliser un linge propre pour assécher la surface.
3. Après le nettoyage, vous pouvez polir les surfaces avec des produits spécialement conçu pour l'acier inoxydable et ainsi redonner de l'éclat et du lustre à votre appareil.
4. Ne pas laisser de dépôts pendant les longues périodes de temps.
5. N'employer pas de laine ou des brosses d'acier. De petites particules d'acier peuvent adhérer à la surface et provoquer de la rouille.
6. Ne utiliser de solutions de sel, des désinfectants, d'agents chlorés ou de blanchiment. Beaucoup de ces composés contiennent des produits chimiques, qui risquent de causer des dommages.

### **POUR NETTOYER LES RÉCUPÉRATEURS DE GRAISSES , GRILLES DE SÉCURITÉ, ET LAMES DU VENTILATEUR**

**AVERTISSEMENT : VIDER LES RÉCUPÉRATEURS DE GRAISSES AVANT QU'ILS NE DÉBORDENT .**

#### 1) Nettoyage Normal :

Vaporiser un dégraisseur doux dans le ventilateur et mettre la hotte en marche à haute vitesse. Le résidu de liquide s'accumulera dans les récupérateurs de graisses.

#### 2) Nettoyage des récupérateurs de graisses :

Retirer les récupérateurs de graisses (ronds) en les tournants en sens inverse des aiguilles d'une montre.

Retirer les récupérateurs de graisses (ovales) en les faisant glisser vers l'avant.

Lavez-les à l'eau chaude savonneuse. Séchez-les complètement avant de les remettre en place.

Peuvent être récuré au lave-vaisselle en les déposants sur le tiroir du haut lors du cycle normal de nettoyage.

### 3) Nettoyage des grilles de sécurité :

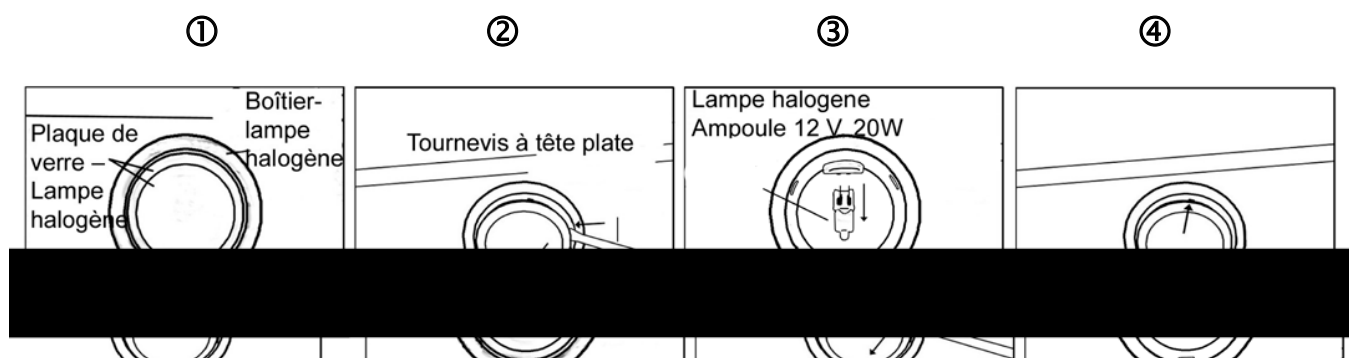
Retirer la vis maintenant les grilles en place ensuite les faire glisser.

Lavez-les à l'eau chaude savonneuse. Séchez-les complètement avant de les remettre en place complètement avant retour dans place.

Peuvent être récuré au lave-vaisselle en les déposants sur le tiroir du haut lors du cycle normal de nettoyage.

## REPLACEMENT D'UNE AMPOULE

**AVERTISSEMENT : LA LAMPE HALOGÈNE PEUT ÊTRE BRÛLANTE !  
ATTENDRE QU'ELLE SE REFROIDISSE AVANT DE PROCÉDER.**



1. S'assurer que toutes les commandes sont en mode ARRÊT et que la hotte de cuisinière est débranchée.
2. Glisser le tournevis à tête plate dans l'espace entre la plaque de verre et le boîtier de la lampe. ①
3. Retirer la plaque de verre. ②
4. En douceur, tirer sur l'ampoule défectueuse pour l'enlever et la jeter. Les ampoules à utiliser doivent être de 12 V et de 20 W au maximum. ③
5. À l'aide d'un linge, tenir la nouvelle ampoule et la pousser fermement dans la douille.
6. Remettre la plaque de verre par-dessus le boîtier. ④
7. Brancher la hotte de cuisinière pour en vérifier le fonctionnement.

## SPÉCIFICATIONS

MODÈLE / TAILLE :	CH2730SQ / 30" CH2736SQ / 36" CH2742SQ / 42" CH2748SQ / 48"			
COULEUR :	Acier Inoxydable de catégorie commerciale			
CONSOMMATION:	CH2730SQB - 232 W / 2,21 A CH2736SQB - 232 W / 2,21 A CH2742SQB - 253 W / 2,38 A CH2748SQB - 258 W / 2,41 A			
VOLTAGE :	120V 60Hz			
NOMBRE DE MOTEURS :	2			
DESIGN :	CONCEPTION 18 JAUGES sans raccord / Fini satiné			
TYPE DE VENTILATEUR	Pale de turbine double			
ÉCHAPPEMENT :	Sur le dessus 6 " rond 7 " rond 3-1/4 "x 10" Rectangulaire A l'arrière 3-1/4 "x 10" Rectangulaire			
COMMANDES	Commandes Électroniques (4 Boutons)- Démarrage avec mise en garde de 10- secondes Dispositif d'arrêt à retardement de 30 secondes			
LAMPES HALOGÈNES :	CH2730SQB - 2 ampoules 12 V, 20 W CH2736SQB - 2 ampoules 12 V, 20 W CH2742SQB - 3 ampoules 12 V, 20 W CH2748SQB - 3 ampoules 12 V, 20 W			
DIMENSIONS DE LA HOTTE (LARGEUR X PROFONDEUR X HAUTEUR)	(CH2730SQB) 29-3/4" x 22" x 7" (CH2736SQB) 35-3/4" x 22" x 7" (CH2742SQB) 41-3/4" x 22" x 7" (CH2748SQB) 47-3/4" x 22" x 7"			
ACCESSOIRES EN OPTION (LARGEUR X PROFONDEUR X HAUTEUR)	1) Couvre conduit réglable en deux-pièces (CH1120DC) 11-3/4 "x 10-1/4" x (20-5/8 " ~ 39-3/4") 2) Panneau arrière en acier Inoxydable de 30 " (SSP30) 30 "x 1/10" x 32 " 3) Panneau arrière d'acier Inoxydable de 36 " (SSP36) 36 "x 1/10" x 32 "			
POIDS DE LA HOTTE (lb)		<u>NET</u>	<u>BRUT</u>	
	CH2730SQ	45,2	64,0	
	CH2736SQ	46,2	66,0	
	CH2742SQ	49,6	70,5	
	CH2748SQ	53,0	75,0	
VITESSES :				
	Quiet Mode <sup>TM</sup>	Moyen	Bas	Haut
Capacité d'air (cfm)*	280	430	580	720
Sone	1.0*	2.8	4.2	4.5

\* Essai de Maison Pression Statique "0". Un sone est équivalent au son d'un réfrigérateur à 40 décibels.

\*\* Spécifications sujettes à changement sans préavis.



## MESURES et DIAGRAMMES

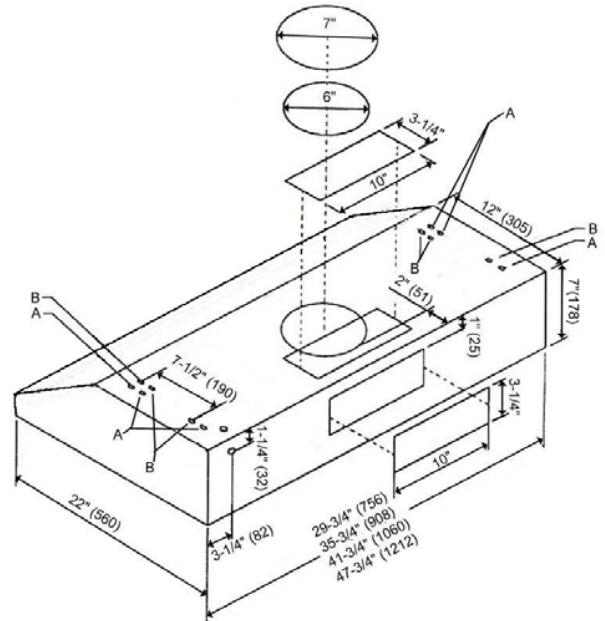
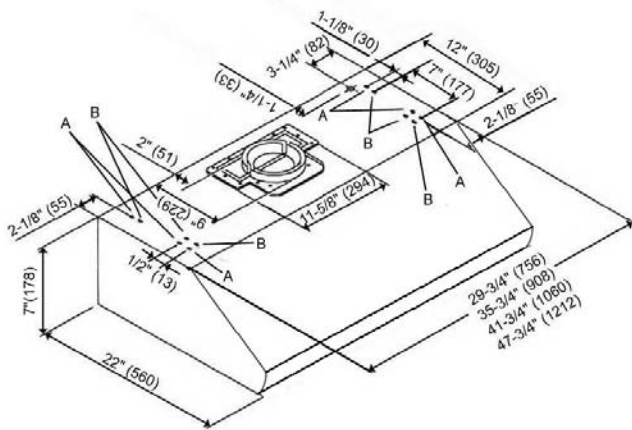
\*\*\* Toutes les mesures de pouce sont converties à partir de millimètres. Les mesures en pouces sont estimées.

\*\*\* Toutes les mesures entre parenthèses ( ) sont des millimètres.

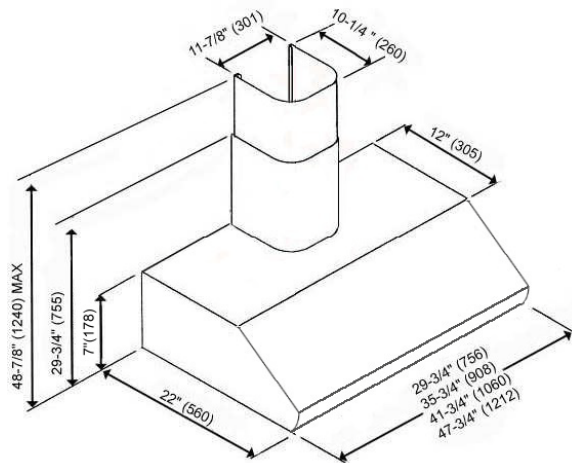
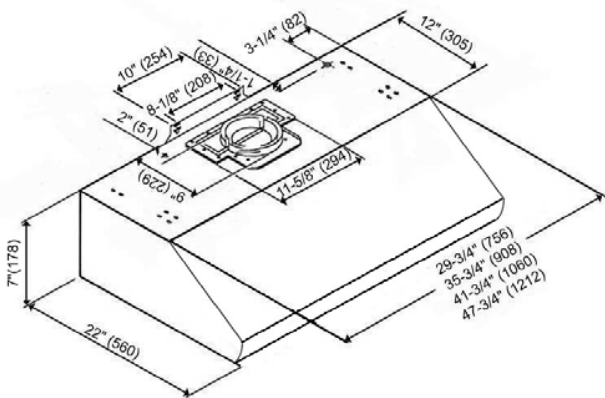
### - SOUS LE CABINET -

30 " = Trous de montage perçage " A "

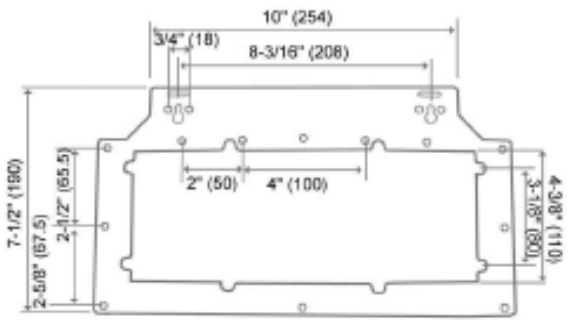
36 ", 42", 48 " = Trous de montage "A et B "



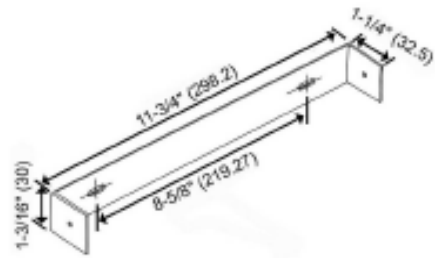
### -POUR MODÈLE ILOT (AVEC COUVERTURE DE CONDUIT FACULTATIVE)-



\*\*\* Support de fixation – hotte



\*\*\* Support de fixation – couvre-conduit



## LISTE DES PIÈCES

N<sup>os</sup> de modèles: **CH2730SQB**  
**CH2736SQB**  
**CH2742SQB**  
**CH2748SQB**

N°	DESCRIPTION	MODÈLE/FORMAT	N° DE PIÈCE
1	Adaptateur de sortie multi conduit		C1-0507-1530
2	Plaque de sortie verticale		B101-1530-12
3	Vis de plaque pour sortie verticale		C1-0508-1530-A
4	Adaptateur rectangulaire sortie arrière		C1-0508-1530-B
5	Caisson supérieur de la hotte	CH2730SQB	10-4930B-51
		CH2736SQB	10-4936B-51
		CH2742SQB	10-4942B-51
		CH2748SQB	10-4948B-51
6	Lumières halogènes (12V, 20W max.)		C1-0403-0101
7	Bloc de contrôle		C1-0501-0101
8	Tableau de commandes (contrôle)		C1-0404-4001-A
9	Support de transformateur		C1-0201-1530
10	Transformateur (moteur)	CH2730SQB	C1-0402-0120-40
		CH2736SQB	C1-0402-0120-40
		CH2742SQB	C1-0402-0120-60
		CH2748SQB	C1-0402-0120-60
11	Boîtier de moteur		
A	Boîtier de moteur (supérieur)	CH2730SQB	C1-0101-1530
B	Boîtier de moteur (latéral)	CH2736SQB	C1-0102-1530
A	Boîtier de moteur (supérieur)	CH2742SQB	C1-0101-1542
B	Boîtier de moteur (latéral)	CH2748SQB	C1-0102-1542
12	Transformateur (lumière)		C1-0402-A120-01
13	Condensateur		C1-0401-0120-01
14	Boîtier du processeur		C1-0501-0102
15	Processeur		C1-0404-4110-B
16	Vis à tête ronde (1/8" x 3/8")		C1-0708-0003
17	Vis de fixation du moteur (TS ¼ x 7/16)		C1-0703-0001
18	Moteur(droit)		C1-0301-0120-23B
19	Moteur (gauche)		C1-0301-0120-23A
20	Pale de turbine (droite)		C1-0251-0880-B
21	Pale de turbine (gauche)		C1-0251-0880-A
22	Couvercles de récupérateur de graisse		C1-0502-0301
23	Récupérateur de graisse		C1-0502-0102
24	Capuchon en plastique de pale de turbine		C1-0251-0001
25	Grilles de sûreté		C1-0602-0101
26	Vis de grille de protection		C1-0705-0001
27	Filtres à chicane		B101-4930-09
28	Panneaux de finition		B101-4930-09

### Couvre conduit Optionne

N°	DESCRIPTION	MODÈLE/FORMAT	N° DE PIÈCE
01	Support de fixation de la hotte		C1-0221-1530
02	Vis ( TS 4 x 8mm)		C1-0708-0006
03	Couvre conduit	CH1120DC	12-15300-51
04	Support de fixation pour couvre conduit		C1-0221-1530
05	Vis ( 3/16 po x 3/8 po)		C1-0707-0001
06	Socle de caoutchouc		C1-0511-0382
07	Vis (TS 4 x 8 mm)		C1-0708-0006

N<sup>os</sup> de modèles

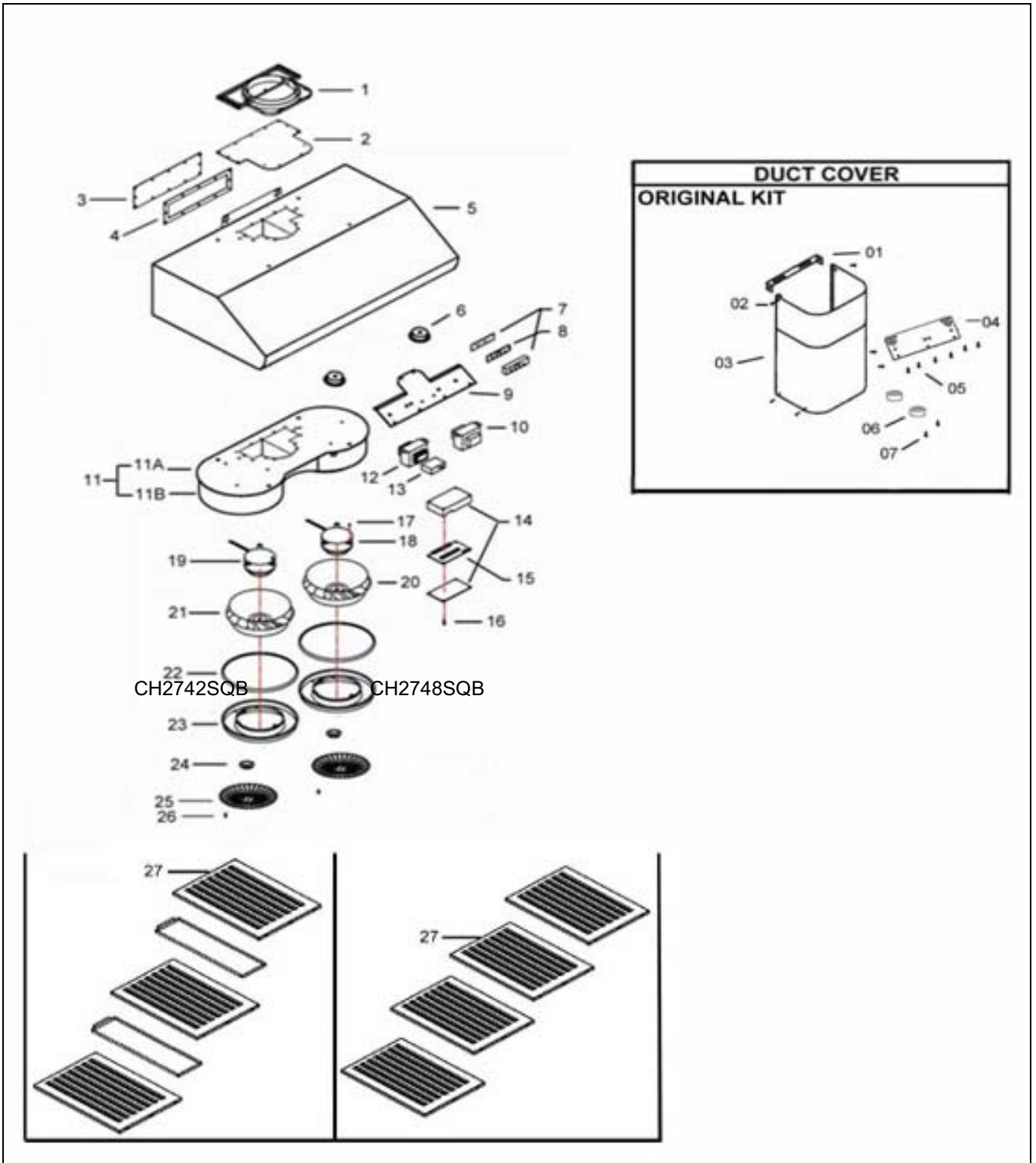
CH2730SQB  
CH2736SQB

CH2730SQB

CH2736SQB

N<sup>os</sup> de modèles

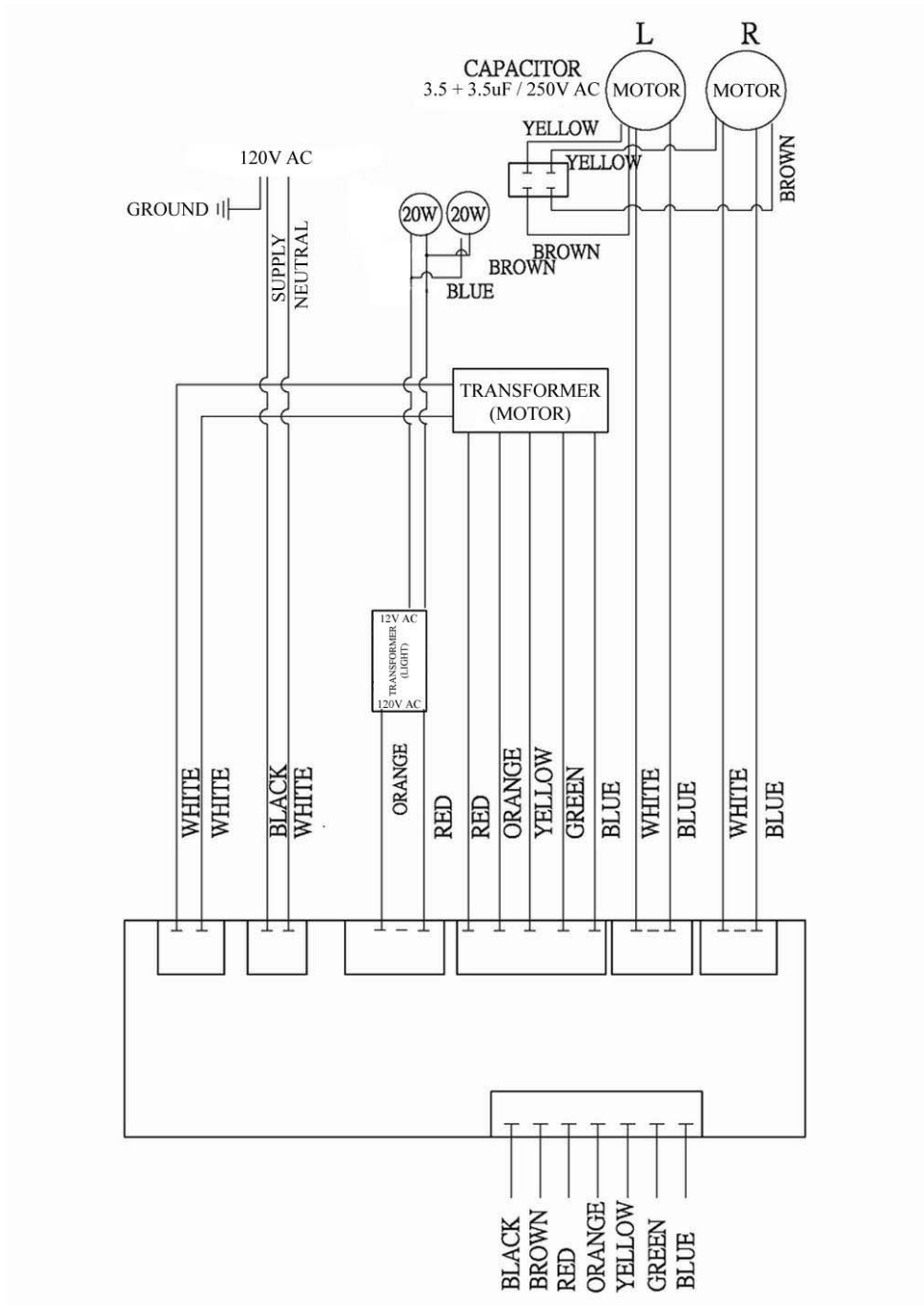
CH2742SQB  
CH2748SQB



# DIAGRAMME DES CIRCUITS

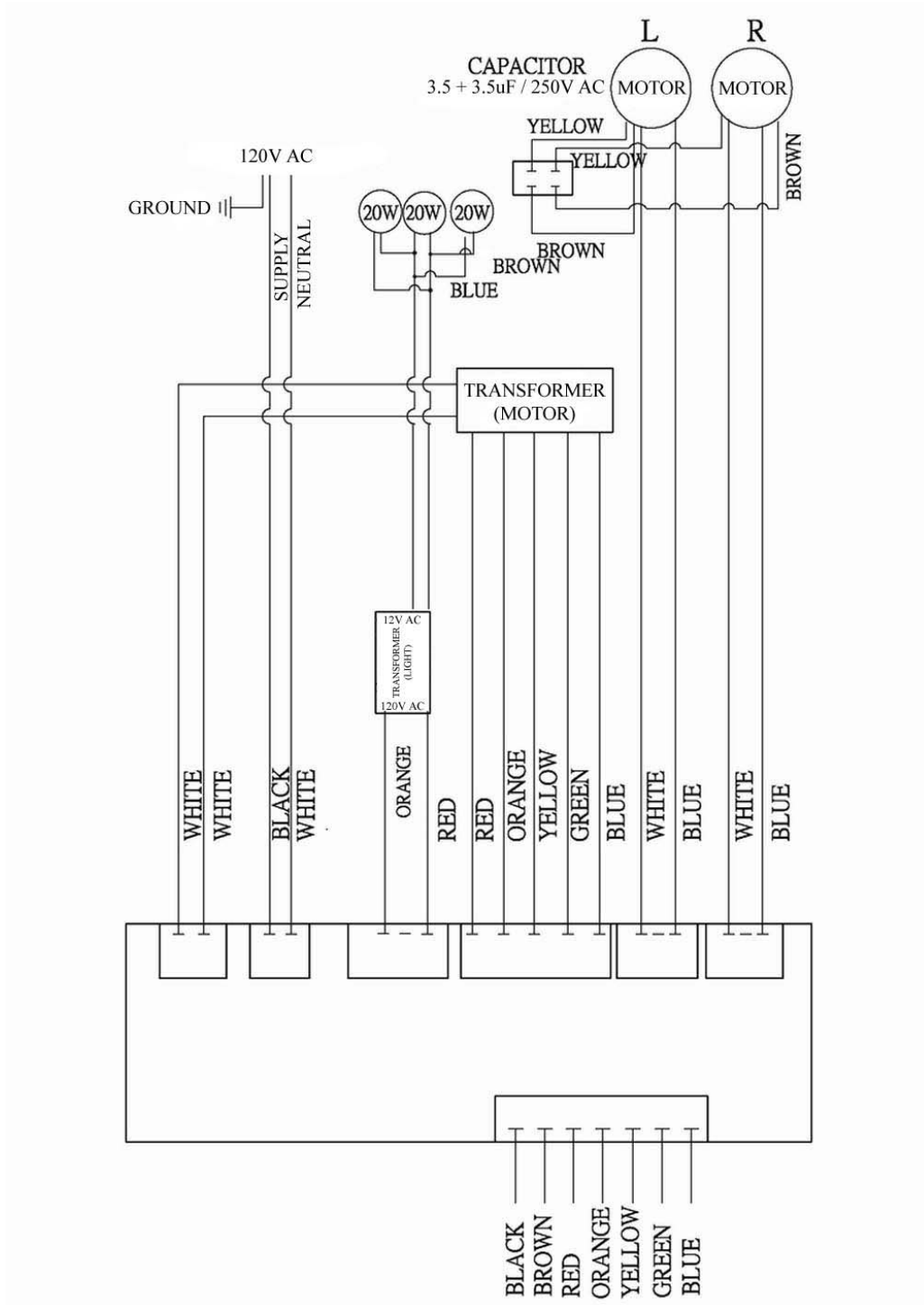
N<sup>os</sup> de modèles

CH2730SQB  
CH2736SQB



N<sup>os</sup> de modèles

CH2742SQB  
CH2748SQB



## TROUBLE SHOOTING

Problème	Cause probable	Solution
Après l'installation, les deux moteurs et les lumières ne fonctionnent pas.	Pas d'alimentation électrique. Assurez-vous que le disjoncteur et que l'alimentation électrique soient en marche.	Utilisez un voltmètre pour vérifier l'alimentation en électricité.
	Le câblage n'est pas bien installé.	Vérifiez et serrez les connexions de fils.
	Le câblage du panneau de commande et de la carte processeur est débranché.	Vérifiez le câblage au complet à partir du panneau de commande jusqu'à la carte processeur.
	Le transformateur du moteur est défectueux	Vérifiez l'entrée de courant et la sortie de courant du transformateur du moteur. Si nécessaire, remplacez le transformateur du moteur.
Les lumières fonctionnent, mais pas le(s) moteur(s).	Le panneau de commande ou la carte processeur est défectueux.	Remplacez le panneau de commande ou la carte processeur.
	Le(s) moteur(s) est (sont) défectueux.	Remplacez le(s) moteur(s).
	Le(s) condensateur(s) est (sont) défectueux.	Remplacez le(s) condensateur(s).
	Le panneau de commande ou la carte processeur est défectueux.	Remplacez le panneau de commande ou la carte processeur.
La hotte de cuisine vibre.	Le système de ventilation n'est pas bien installé.	Serrez la pale turbine/cage d'écureuil et le réservoir d'air.
	La pale turbine/cage écureuil n'est pas bien balancée.	Remplacez la pale turbine/cage d'écureuil.
	La hotte n'est pas assez bien serrée.	Vérifiez l'installation de la hotte, serrez le support de fixation.
Le moteur fonctionne, mais pas les lumières.	L'ampoule de la lampe halogène est défectueuse.	Essayez l'ampoule de lampe défectueuse sur une douille qui fonctionne. Si l'ampoule ne fonctionne toujours pas, remplacez-la.
	Le câblage de la lampe n'est pas assez serré.	Vérifiez le câblage au complet à partir de la carte processeur jusqu'au transformateur puis jusqu'au boîtier.
	Le transformateur de la lumière est défectueux.	Vérifiez l'entrée de courant et la sortie de courant du transformateur de lampe. Si nécessaire, remplacez le transformateur de lampe.
	Le panneau de commande ou la carte processeur est défectueux.	Remplacez le panneau de commande ou la carte processeur.
La hotte de cuisine ne ventile pas correctement.	La hotte de cuisine est installée hors des limites recommandées par le fabricant.	Ajustez le dégagement entre la hotte de cuisine et la table de cuisson pour qu'il soit de 27" à 30". Pour une hotte de cuisinière sur îlot, le dégagement entre la hotte de cuisine et la table de cuisson est de 30" à 36".
	Il n'y a pas d'air d'appoint à l'intérieur de la maison.	Ouvrez la fenêtre pour améliorer la performance de la hotte en créant suffisamment d'air d'appoint.
	Un obstacle bloque la canalisation.	Enlevez tous les obstacles de la canalisation.
	La canalisation est plus petite que la canalisation suggérée.	Changez la canalisation en accord avec les suggestions du fabricant.
De l'air froid entre dans la maison.	La connexion du conduit n'est pas scellée correctement.	Vérifiez l'installation du conduit.
	Le clapet n'est pas bien installé ou manque à l'installation.	Vérifiez l'installation du clapet.
	Le clapet n'est pas installé.	En installant le clapet, vous aiderez à éliminer le retour d'air.



## **AVIS DE NON-RESPONSABILITÉ**

1. **VÉRIFIEZ SOIGNEUSEMENT TOUS LES ARTICLES POUR DES DOMMAGES AVANT D'ACCEPTER LA LIVRAISON. NOTEZ TOUS LES DOMMAGES SUR LA FACTURE DE FRET OU SUR LE REÇU EXPRESS. DEMANDEZ LE NOM ET LA SIGNATURE DE L'AGENT DU TRANSPORTEUR ET GARDEZ UNE COPIE POUR SOUTENIR VOTRE RÉCLAMATION.**

Après l'acceptation des articles, le propriétaire assume la responsabilité de bonne arrivée. Signalez les dommages au transporteur et complétez une réclamation immédiatement. Sinon votre réclamation pourrait être refusée. Le transporteur vous fournira les formulaires nécessaires pour compléter la réclamation.

**LES DOMMAGES CAUSÉS DURANT LE TRANSIT NE SONT PAS COUVERTS SOUS NOTRE GARANTIE.**

2. **VEUILLES INSPECTER SOIGNEUSEMENT LE CONTENU DE(S) L'EMBALLAGE(S) SUR RÉCEPTION !**

Nous devons être avertis par écrit de tous dommages et/ou pièces manquantes en dedans du nombre de jours alloué à partir de la date de réception de votre (vos) emballage(s). Communiquez avec votre fournisseur ou distributeur KOBE ou appelez KOBE pour la limite de temps.

**LES RÉCLAMATIONS NE SERONT PAS ACCEPTÉES APRÈS LE NOMBRE DE JOURS ALLOUÉ.**

REMARQUE : LES ARTICLES ONT ÉTÉ ENTIÈREMENT TESTÉS ET SOIGNEUSEMENT EMBALLÉS À NOTRE USINE AVANT L'EXPÉDITION.

3. Les produits doivent être retournés en bonne condition de fonctionnement avec TOUTES les pièces originales et la documentation emballés dans les boîtes d'origine, avec les particules de bourrage et les boîtes d'expédition. Des frais de réapprovisionnement de 25% seront chargés pour tous les articles approuvés.

**LES ÉCHANGES ET LES RETOURS PEUVENT NE PAS ÊTRE ACCEPTÉS SI TOUT EMBALLAGE EST MANQUANT.**

4. **ASSUREZ-VOUS D'INSPECTER LA HOTTE POUR TOUS DOMMAGES ET DÉFECTUOSITÉS AVANT L'INSTALLATION.** Les défauts dans l'apparence de la hotte trouvés après l'installation et qui n'affectent pas la performance de la hotte ne sont pas couverts sous notre garantie pour les retours et les échanges. Les visites de service non couvertes sous la garantie auront des frais de service.

A) Avant l'installation : Retour pour échange ou remboursement (veuillez voir ci-dessus pour les retours acceptables).

B) Après l'installation : AUCUN échange ou retour.

## **GARANTIE**

### **CERTIFICAT DE GARANTIE**

Tous les produits fabriqués ou fournis par KOBE Range Hoods sont garantis contre tout défaut de fabrication et de matière première. Les obligations du fabricant dans le cadre de la présente garantie sont limitées à une période de deux (2) ans à partir de la date d'achat et à la réparation ou au remplacement, à sa discrétion, conformément aux modalités et conditions énoncées plus bas, de tout composant qu'il jugera défectueux après examen.

### **PÉRIODE DE GARANTIE DE DEUX (2) ANS**

Toute défaillance couverte par la garantie se produisant dans les deux (2) ans à compter de la date d'achat d'origine et découlant d'une fabrication ou d'une matière première défectueuse sera réparée (ou, à notre discrétion, l'appareil pourra être remplacé), sans frais, par un agent autorisé de KOBE Range Hoods ou par KOBE Range Hoods selon le cas. Conservez votre preuve d'achat (ou facture d'origine) pour inspection.

Si la hotte de cuisinière est vendue par l'acheteur d'origine au cours de la période de garantie, le nouveau propriétaire sera protégé jusqu'à l'expiration de la garantie de l'acheteur d'origine.

### **CONDITIONS**

Les conditions suivantes s'appliquent seulement en relation avec la garantie accordée expressément par le présent certificat.

- 1) La présente garantie est valide uniquement :
  - a) aux États-Unis et au Canada;
  - b) si la hotte de cuisinière est utilisée pour un USAGE FAMILIAL UNIQUE (si la hotte sert à un USAGE COMMERCIAL OU À PLUSIEURS FAMILLES OU À D'AUTRES FINS, la garantie sera nulle et non avenue).
- 2) La réparation de tout défaut couvert par la présente garantie ne sera pas couverte :
  - a) si le numéro d'identification de la hotte a été altéré, rendu illisible ou enlevé;
  - b) si le défaut n'a pas été déclaré au cours de la période de garantie applicable;
  - c) dans le cas de défectuosité des ampoules ou des lampes à rayons infrarouges;
  - d) dans le cas de tout dommage physique;
  - e) pour des surfaces endommagées par l'utilisation de produits nettoyants inappropriés;
  - f) si l'appareil a été:
    - i). soumis à un mauvais usage, un abus, une négligence, un accident, une installation inadéquate ou si les instructions du mode d'emploi n'ont pas été respectées;
    - ii). branché à une alimentation électrique ou à des conduits d'évacuation inappropriés, inadéquats ou défectueux ou opéré avec l'emploi de lubrifiants inadéquats ou contaminés;
    - iii). installé, entretenu ou opéré autrement qu'en conformité avec les instructions fournies par KOBE Range Hoods incluant l'utilisation inappropriée de détergents, javellisants ou nettoyants.
  - g) pour tout dommage à la hotte durant le transport, la livraison, l'installation ou l'enlèvement ;
  - h) pour tout dommage résultant d'un essai de réparation effectué par une autre personne que par un technicien de service autorisé par KOBE.
  - i) le bruit ou la vibration causé par une installation inappropriée de la hotte de ventilation et/ou du clapet.

- 3) L'acheteur sera responsable de tous les frais requis pour rendre la hotte facilement accessible au service et, lorsque la hotte est installée à l'extérieur du territoire de ventes principal du détaillant ou du territoire de service de l'agent autorisé de KOBE Range Hoods le plus près, selon le cas, de tous les frais de déplacement et de tous les frais de transport de la hotte ou de pièces de celle-ci jusqu'au détaillant ou au technicien de service (aller-retour).
- 4) L'acheteur doit fournir la preuve d'achat de même que le présent certificat de garantie au moment de faire une réclamation.
- 5) Les dommages causés durant l'expédition ne sont pas couverts sous la présente garantie.

### **DOMMAGES INDIRECTS**

KOBE Range Hoods, Inc. ne sera pas tenue responsable des dommages indirects. CERTAINS ÉTATS ET CERTAINES PROVINCES NE PERMETTENT PAS L'EXCLUSION DES DOMMAGES INDIRECTS. EN CONSÉQUENCE, LA PRÉSENTE EXCLUSION PEUT NE PAS S'APPLIQUER DANS VOTRE CAS.

### **GARANTIES TACITES / RÉGLEMENTATION**

Toutes les garanties tacites, incluant la garantie implicite de qualité marchande et de pertinence dans un but particulier, imposées par la réglementation de l'état ou de la province d'achat, sont limitées à une durée de deux (2) ans à compter de la date d'achat d'origine. Certains états ou provinces ne permettent pas les limitations ayant trait à la durée d'une garantie tacite. La présente garantie vous donne des droits légaux précis et vous pouvez avoir d'autres droits pouvant varier d'un état à l'autre ou d'une province à l'autre.

### **SERVICE**

Pour obtenir du service :

KOBE Range Hoods  
11775 Clark Street  
Arcadia, CA 91006  
U.S.A  
Tél.: (626) 775-8880  
Courriel: [customer.service@KOBERangeHoods.com](mailto:customer.service@KOBERangeHoods.com)  
Site Web: [www.KOBERangeHoods.com](http://www.KOBERangeHoods.com)

## ENREGISTREMENT DU PRODUIT

### Enregistrez votre produit !

Toute défaillance couverte par la garantie se produisant dans les deux ans à compter de la date d'achat d'origine et découlant d'une fabrication ou d'une matière première défectueuse sera réparée (ou, à notre discrétion, l'appareil pourra être remplacé), sans frais, par un agent autorisé de KOBE Range Hoods. ou par KOBE Range Hoods. selon le cas. Conservez votre preuve d'achat (ou facture d'origine) pour inspection.

Si la hotte de cuisinière est vendue par l'acheteur d'origine au cours de la période de garantie, le nouveau propriétaire sera protégé jusqu'à l'expiration de la garantie de l'acheteur d'origine. Voir le certificat de garantie pour la couverture complète de la garantie.

Cet appareil a été fabriqué, mis à l'essai et inspecté conformément aux normes exigées par KOBE Range Hoods.

### **SVP, POSTER VOTRE FICHE D'ENREGISTREMENT DE PRODUIT AVEC VOTRE PREUVE D'ACHAT À:**

KOBE Range Hoods  
Warranty Registration  
11775 Clark Street  
Arcadia, CA 91006  
U.S.A.

### **INSCRIRE LES RENSEIGNEMENTS SUIVANTS POUR NOS DOSSIERS :**

N° de modèle \_\_\_\_\_

N° de série \_\_\_\_\_

Date d'achat \_\_\_\_ / \_\_\_\_ / \_\_\_\_

Nom et adresse du détaillant :

\_\_\_\_\_  
\_\_\_\_\_  
\_\_\_\_\_

**IMPORTANT : VEUILLEZ AVOIR EN MAIN UNE COPIE DE VOTRE FACTURE LORSQUE VOUS EFFECTUEZ UN APPEL DE SERVICE.**

## [SPANISH]

- LEA Y CONSERVE ESTAS INSTRUCCIONES -

### ÍNDICE

INSTRUCCIONES IMPORTANTES DE SEGURIDAD .....	68
COMPONENTES DEL PAQUETE.....	70
INSTALACIÓN.....	71
INSTRUCCIONES DE OPERACIÓN .....	84
MANTENIMIENTO .....	85
ESPECIFICACIONES .....	87
MEDIDAS Y DIAGRAMAS .....	88
LISTADO DE PIEZAS.....	90
DIAGRAMA DE CIRCUITO .....	93
INSTRUCCIONES IMPORTANTES DE SEGURIDAD.....	95
CLÁUSULA DE EXENCIÓN .....	96
GARANTÍA.....	97

- LEA CUIDADOSAMENTE TODAS LAS INSTRUCCIONES ANTES DE  
COMENZAR -

TODO EL CABLEADO DEBERÁ REALIZARSE POR UN PROFESIONAL Y DE  
ACUERDO CON TODOS LOS CÓDIGOS ELÉCTRICOS NACIONALES Y LOCALES



## INSTRUCCIONES IMPORTANTES DE SEGURIDAD

- POR FAVOR, LEA CUIDADOSAMENTE ESTA SECCIÓN ANTES DE INSTALAR -

**⚠ ADVERTENCIA:** PARA REDUCIR EL RIESGO DE INCENDIO, ELECTROCUCIÓN O LESIÓN PERSONAL, TOMÉ EN CUENTA LO SIGUIENTE:

- 1) La instalación y el cableado eléctrico deberán realizarse por profesionales calificados y de acuerdo con todos los códigos y estándares correspondientes, incluyendo los códigos y normas sobre la construcción para prevenir incendios.
- 2) Al cortar o perforar una pared o techo, tenga cuidado de no dañar el cableado eléctrico u otras instalaciones de servicios ocultas.
- 3) Los ventiladores con conductos deberán tener una ventilación hacia el exterior.
  - a) Antes de darle servicio o limpiar la unidad, abra el panel de la luz y **DESCONECTE EL SUMINISTRO ELÉCTRICO EN EL PANEL DE SERVICIO.**
  - b) Limpie frecuentemente las superficies saturadas con grasa. Para reducir el riesgo de incendio y para dispersar el aire adecuadamente, asegúrese de ventilar el aire al exterior. **NO** ventile el aire del escape en espacios cerrados entre paredes, áticos, espacios de acceso debajo de pisos o garajes.

NOTA - Esta garantía no es válida sin un recibo de un agente autorizado o si la unidad se ha dañado debido al maltrato, mala instalación, uso inadecuado, abuso, negligencia o cualquier otra circunstancia que se encuentre fuera del control de los agentes autorizados de **KOBE RANGE HOODS**. Cualquier reparación que se realice sin la supervisión de los agentes autorizados de **KOBE RANGE HOODS** anulará la garantía automáticamente.

- **KOBE RANGE HOODS** no se hará responsable por cualquier daño a la propiedad personal o inmobiliario ni por las lesiones físicas que se hayan causado ya sea directa o indirectamente por la campana de extracción.

**⚠ ADVERTENCIA:** PARA REDUCIR EL RIESGO QUE OCURRAN LESIONES PERSONALES EN CASO DE UN INCENDIO CAUSADO POR LA GRASA ACUMULADA EN LAS HORNILLAS DE LA ESTUFA:

1. Mantenga limpios todos los ventiladores, deflectores/separadores/filtros/conductos de aceite/recipientes para aceite y las superficies saturadas con grasa. No deberá permitirse que la grasa se acumule en el ventilador, deflector/separador/filtro/conducto de aceite/ recipiente para aceite.
2. Siempre **ENCIENDA** el extractor cuando cocine.
3. Utilice las configuraciones altas en la estufa **SOLAMENTE** cuando sea necesario.
4. No deje la estufa sin supervisión mientras esté cocinando.
5. Siempre utilice utensilios de cocina adecuados para el tipo y cantidad de alimentos que prepara.
6. Utilice esta unidad únicamente de la manera en que fue diseñada por el fabricante.
7. Antes de darle servicio, desconecte el suministro eléctrico en el panel de servicio y cierre bajo llave el panel de servicio (de ser posible) para prevenir que la unidad se encienda accidentalmente.
8. Limpie el ventilador con frecuencia.

## **Qué Hacer en Caso de Un Incendio Causado por la Grasa Acumulada en las Hornillas de la Estufa**

- SOFOQUE LAS LLAMAS con una tapadera, una bandeja para hornear galletas o una bandeja de metal que quede bien ajustada y luego apague la hornilla. MANTENGA TODO EL MATERIAL INFLAMABLE O COMBUSTIBLE LEJOS DE LAS LLAMAS. Si las llamas no se apagan inmediatamente, EVACUE EL ÁREA Y LLAME AL DEPARTAMENTO DE BOMBEROS o al 911.
- NUNCA LEVANTE UN SARTÉN QUE SE ESTÉ QUEMANDO – Usted Podría Quemarse.
- NO UTILICE AGUA, incluyendo paños o toallas mojadas - esto resultará en una explosión violenta de vapor.
- Utilice un extinguidor SOLO si:
  - a) Cuenta con un extinguidor Clase A, B, C y sabe cómo utilizarlo.
  - b) El incendio es pequeño y se ha contenido en el área en donde comenzó.
  - c) Ha llamado al departamento de bomberos.
  - d) Puede combatir el incendio con su espalda dirigida hacia una salida.

## **Qué Hacer si Siente Olor a Gas**

- Apague cualquier llama abierta.
- No intente encender las luces o cualquier otro tipo de aparato.
- Abra todas las puertas y ventanas para dispersar el gas. Si aún así siente olor a gas, llame a la Compañía de Gas y al Departamento de Bomberos inmediatamente.

## **PRECAUCIÓN**

- 1) Solamente para ventilación general. No utilizar para eliminar materiales y vapores peligrosos o explosivos.
- 2) Para reducir el peligro de incendio, utilice solamente una red de conductos metálicos. Necesita aire suficiente para la combustión y eliminación de gases por medio del conducto de ventilación (chimenea) para prevenir la explosión de flujo de aire en retroceso.
- 3) Siga las directrices y estándares de seguridad del fabricante del equipo de calefacción, tales como aquellos publicados por la Asociación de Protección contra Incendios (National Fire Protection Association – NFPA) y la Sociedad Americana de Ingenieros en Calefacción, Refrigeración y Aire Acondicionado (American Society for Heating, Refrigeration and Air Conditioning Engineers – ASHRAE) y las autoridades normativas.
- 4) Activar cualquier interruptor podría causar una explosión o ignición.
- 5) Debido al tamaño y peso de esta campana de extracción, se recomienda que la instalación sea realizada por dos personas.

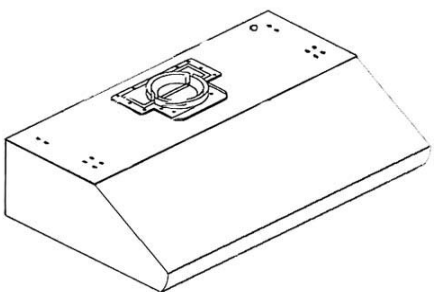
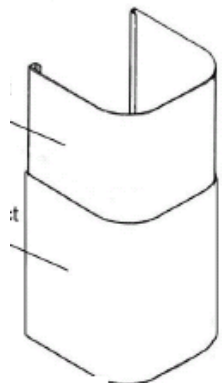

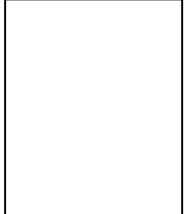


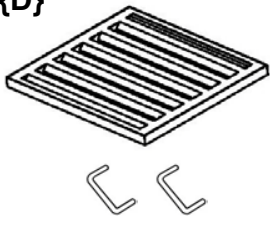
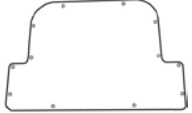
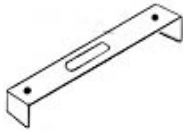
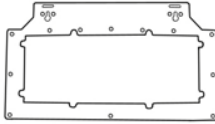
## **ADVERTENCIA**



**RIESGO DE ELECTROCUCIÓN – Puede resultar en lesiones serias o la muerte. Desconecte el aparato del suministro eléctrico antes de darle servicio. Si estuviera equipado con éste, el foco fluorescente debido a que contiene pequeñas cantidades de mercurio, deberá reciclarse o desecharse según los Códigos Locales, Estatales y Federales.**

## COMPONENTES DEL PAQUETE

(Debe conservar todo el material en caso de devolverlo o solicitar un reembolso)

Caja de la Campana de Extracción	Caja de la Cubierta de Conductos (Se Vende Por Separado)
<p>{A} Campana de Extracción KOBE                      {B} Tarjeta de Registro de Garantía                      {C} Manual de Instrucciones                      {D} Filtro Deflector                      {E} Cubierta de Ventilación (Arriba)</p>	<p>{F} Cubierta de Conductos KOBE (Modelo No. CH1120DC)                      {G} Paquete de Tornillos                      {H} Soporte de Montaje de la Cubierta de Conductos                      {I} Soporte de Montaje de la Campana</p>
<p>{A}</p> 	<p>{F}</p> <p>Couvre conduit (intérieur)</p> <p>Couvre conduit (extérieur)</p> 
<p>{B}</p>  <p>{C}</p> 	<p>{G}</p>  <p>3/16" x 3/8" ( 9pcs)</p>  <p>4 x 8 mm ( 8 pcs)</p>
<p>{D}</p>  <p>{E}</p> 	<p>{H}</p>  <p>{I}</p>  <p>Rubber Stand (2 pcs)</p>

- PARA OBTENER MÁS INFORMACIÓN, POR FAVOR VISITE NUESTRO SITIO DE INTERNET [www.KOBERangeHoods.com](http://www.KOBERangeHoods.com) O CONTACTE A KOBE RANGE HOODS AL (626) 775-8880.



## INSTALACIÓN

POR FAVOR, LEA LAS INSTRUCCIONES COMPLETAMENTE ANTES DE CONTINUAR

### Cálculo antes de la Instalación

Para realizar el cálculo para la instalación, por favor consulte la TABLA 1. (Todos los cálculos están hechos en pulgadas).

#### - PARA INSTALACIÓN DEBAJO DEL GABINETE -

<p><b>TABLA 1</b></p> <p>A = Altura del Piso al Techo          B = Altura del Piso a la Superficie del Mostrador          (Estándar: 36")  <b>C = Altura Preferida de la Superficie del Mostrador a Parte Inferior de la Campana (Se recomienda de 27" a 30")</b>          D = Altura de la Campana          E = Altura del Gabinete</p>	<p>El diagrama muestra un perfil de la campana y el mostrador. Las líneas de medición son: A (altura total del piso al techo), B (altura del piso al mostrador), C (altura desde el mostrador hasta la parte inferior de la campana), D (altura de la campana) y E (altura del gabinete).</p>
--	---

#### - PARA INSTALACIÓN INDEPENDIENTE (CON CUBIERTA DE CONDUCTOS OPCIONAL)

<p><b>TABLA 2</b></p> <p>A = Altura del Piso al Techo          B = Altura del Piso a la Superficie del Mostrador          (Estándar: 36")  <b>C = Altura Preferida de la Superficie del Mostrador a Parte Inferior de la Campana (Se recomienda de 27" a 30")</b>          D = Altura de la Campana          E = Altura de la Cubierta de Conductos [F – D]          F = Altura de Instalación de la Campana [A – (B+C)]</p>	<p>El diagrama muestra un perfil de la campana, el mostrador y la cubierta de conductos. Las líneas de medición son: A (altura total del piso al techo), B (altura del piso al mostrador), C (altura desde el mostrador hasta la parte inferior de la campana), D (altura de la campana), E (altura de la cubierta de conductos) y F (altura de instalación de la campana).</p>
--	---

## **⚠️ ADVERTENCIA DE SEGURIDAD**

LA CAMPANA PODRÍA TENER EXTREMOS SUMAMENTE FILOSOS; FAVOR DE UTILIZAR GANTES PROTECTORES SI VA A RETIRAR CUALQUIER PIEZA PARA INSTALAR, LIMPIAR O DARLE SERVICIO.

NOTA: TENGA MUCHO CUIDADO AL UTILIZAR UN DESTORNILLADOR ELÉCTRICO; PODRÍA CAUSAR DAÑOS A LA CAMPANA.

### Índice de Instalación

DEBAJO DEL GABINETE	
Ventilación Superior.....	74
Ventilación Posterior.....	76
INDEPENDIENTE	
Ventilación Superior.....	78
Ventilación Posterior.....	81

## INSTALACIÓN DEBAJO DEL GABINETE – VENTILACIÓN SUPERIOR

### Preparación antes de la Instalación

NOTA: PARA EVITAR CAUSAR DAÑOS A SU CAMPANA, EVITE QUE DESECHOS PENETREN EN LA RENDIJA DE VENTILACIÓN

- Decida la ubicación para colocar el conducto de ventilación de la campana hacia el exterior. Consulte la Figura 1
- Un ducto de escape recto y corto permitirá que la campana trabaje con más eficiencia.
- Intente evitar tantas conexiones, codos y ductos largos como sea posible. Esto podría reducir el rendimiento de la campana.
- Antes de instalar, conecte temporalmente la campana para verificar que funcione adecuadamente.
- Retire la película protectora de la campana (si hay alguna).
- Para instalar debajo del gabinete con la parte inferior empotrada, coloque tiras para rellenar madera de 4 pulgadas de ancho (no incluidas) de cada lado. Consulte la Figura 2.
- Mida y cree una abertura de acceso para los cables eléctricos debajo del gabinete.
- Corte el escape de multi-conductos de acuerdo al tamaño de la pipa de ventilación. Consulte la Figura 3.

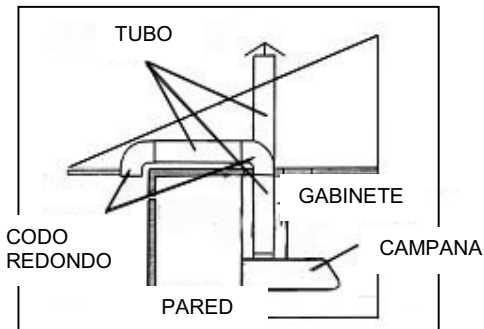


Figura 1

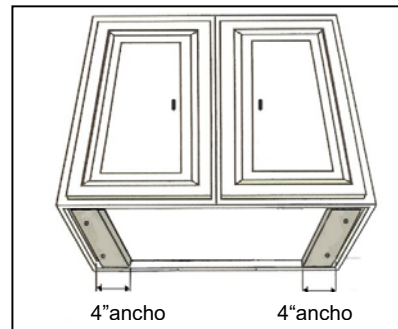


Figura 2

Figura 3



Rendija de Ventilación Redonda de 6"

Rendija de Ventilación Redonda de 7"

Rendija de Ventilación de 3-1/4" x 10"

## Instalación de la Campana

**PRECAUCIÓN:** Si fuera necesario mover la estufa para instalar la campana, desconecte la electricidad en la caja eléctrica principal si es una estufa eléctrica. **APAGUE EL GAS ANTES DE MOVER UNA ESTUFA DE GAS.**

1. Abra los oficios preperforados en la campana como se muestra en la Figura 4
2. Desatornille los seis tornillos en la carcasa de la parte inferior. Remueva la parte inferior si fuera necesario, organice los cables eléctricos de modo que corran dentro del agujero de 1" de diámetro en la parte superior o en la parte posterior de la campana. Consulte la Figura 5.
3. Utilizando las referencias en la Tabla 1 y las medidas en la página 88 centre la campana en su lugar debajo del gabinete y nivele con el frente del gabinete.



Figura 4

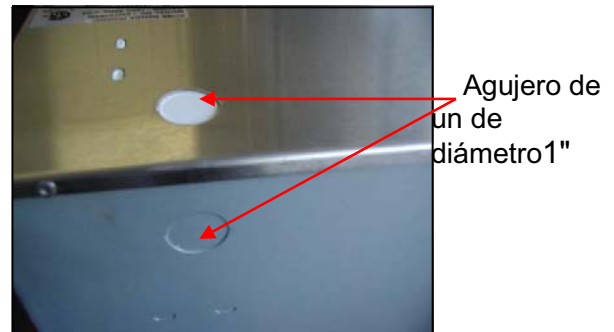


Figura 5

4. Tire de los cables eléctricos por medio del orificio de acceso del gabinete.
5. Coloque el tornillo (no incluido) en el centro exacto de cada agujero preperforado. Asegúrese de que todos los tornillos estén en su lugar antes de apretarlos. **PRECAUCIÓN: ASEGÚRESE QUE LA CAMPANA ESTÉ FIJA ANTES DE SOLTARLA.**

## Instalación de Red de Conductos

6. Utilice un tubo de aluminio o acero para conectar el escape plástico en la campana a la red de conductos de arriba. Utilice cinta de aislar para asegurar y hermetizar todas las uniones.

## INSTALACIÓN DEBAJO DEL GABINETE – VENTILACIÓN POSTERIOR

### Preparación antes de la instalación

NOTA: PARA EVITAR CAUSAR DAÑOS A SU CAMPANA, EVITE QUE DESECHOS PENETREN EN LA RENDIJA DE VENTILACIÓN.

- Decida la ubicación para colocar el conducto de ventilación de la campana hacia el exterior. Consulte la Figura 6
- Un ducto de escape recto y corto permitirá que la campana trabaje con más eficiencia.
- Intente evitar tantas conexiones, codos y ductos largos como sea posible. Esto podría reducir el rendimiento de la campana.
- Antes de instalar, conecte temporalmente la campana para verificar que funcione adecuadamente.
- Retire la película protectora de la campana (si hay alguna).
- Para instalar debajo del gabinete con la parte inferior empotrada, coloque tiras para rellenar madera de 4 pulgadas de ancho (no incluidas) de cada lado. Consulte la Figura 7.
- Mida y haga una abertura de acceso para los cables eléctricos debajo del gabinete o el orificio de acceso para los cables eléctricos en la parte posterior de la campana.
- Remueva los tornillos de la cubierta de ventilación (posterior) y corte a lo largo de la línea del orificio de la cubierta interna de ventilación (posterior). Consulte la Figura 8.
- Corte el orificio de la cubierta de ventilación (posterior) y regrese al otro lado. Consulte la Figura 9. Vuelva a colocar la cubierta de ventilación (posterior).

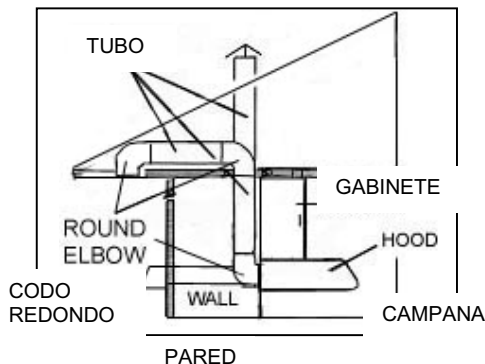


Figura 6

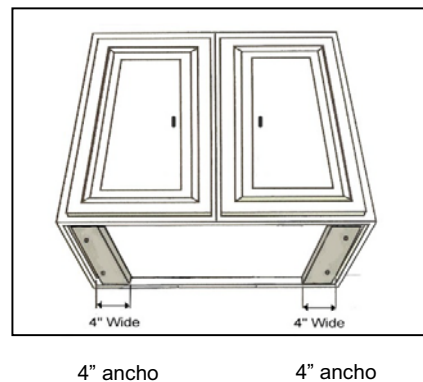


Figura 7



Figura 8

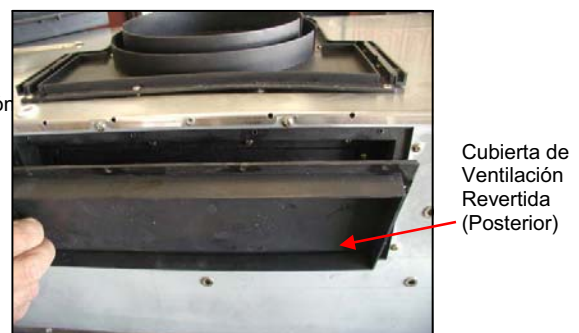


Figura 9

## Instalación de la Campana

**PRECAUCIÓN:** Si fuera necesario mover la estufa para instalar la campana, desconecte la electricidad en la caja eléctrica principal si fuera una estufa eléctrica. **APAGUE EL GAS ANTES DE MOVER UNA ESTUFA DE GAS.**

1. Abra los oficios preperforados en la campana como se muestra en la Figura 10.
2. Desatornille y remueva el escape de multi-conductos. Reemplace con la cubierta de ventilación {E} (superior) de la página 3. Consulte la Figura 11.



Figura 10

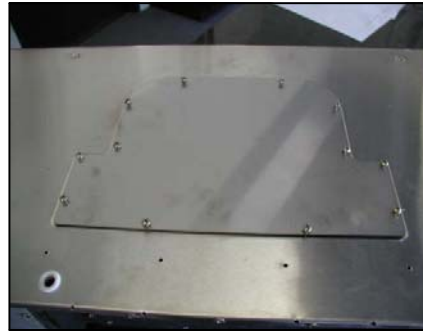


Figura 11

3. Desatornille los seis tornillos en la carcasa en la parte inferior. Remueva la carcasa de la parte inferior. Si fuera necesario, organice los cables eléctricos de modo que corran a través del agujero de 1" de diámetro en la parte superior o en la parte posterior de la campana. Consulte la Figura 12
4. Utilizando las referencias en la Tabla 1 y las medidas en la página 88 centre la campana en su lugar debajo del gabinete y nivele con el frente del gabinete.
5. Coloque el tornillo (no incluido) en el centro exacto de cada agujero preperforado. Asegúrese que todos los tornillos estén en su lugar antes de apretarlos. **PRECAUCIÓN: ASEGÚRESE QUE LA CAMPANA ESTÉ FIJA ANTES DE SOLTARLA.**



Figura 12

## Instalación de la Red de Conductos

6. Utilice un tubo de aluminio o acero para conectar el escape plástico ubicado en la parte posterior de la campana a la red de conductos. Utilice cinta de aislar para asegurar y hermetizar todas las uniones.

## **INSTALACIÓN INDEPENDIENTE – VENTILACIÓN SUPERIOR**

\*\*\*Esta instalación sólo aplica con la compra de una cubierta de conductos (Modelo No. CH1120DC).

### Preparación antes de la Instalación

NOTA: PARA EVITAR CAUSAR DAÑOS A SU CAMPANA, EVITE QUE DESECHOS PENETREN EN LA RENDIJA DE VENTILACIÓN

- Decida la ubicación para colocar el conducto de ventilación de la campana hacia el exterior. Consulte la Figura 13
- Un ducto de escape recto y corto permitirá que la campana trabaje con más eficiencia.
- Intente evitar tantas conexiones, codos y ductos largos como sea posible. Esto podría reducir el rendimiento de la campana.
- Utilice cinta de aislar para sellar las uniones entre las secciones del tubo.
- Si fuera necesario, prepare un marco posterior en la pared con madera de entramado para una instalación segura.
- Utilizando las referencias de la Tabla 2 y las medidas en la página 88-89, decida el nivel de la madera. Consulte la Figura 14.

### Preparación de la Campana antes de la Instalación

- Conecte la campana temporalmente para probar su operación antes de instalar.
- Retire la película protectora de la campana y de la cubierta de conductos (si hubiera alguna).
- Corte el escape de multi-conductos de ventilación de acuerdo al tamaño del tubo de ventilación. Consulte la Figura 15.

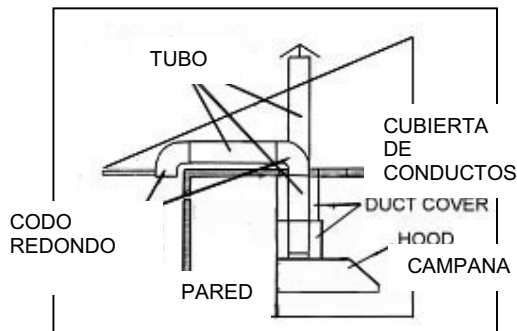


Figura 13

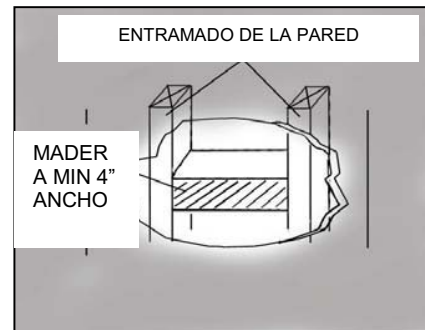


Figura 14

Figura 15





- Si fuera necesario, coloque dos bases de goma (incluidas) con dos tornillos (4x8 mm) (incluidos) en la parte posterior de la campana.
- Coloque el soporte de montaje de la campana en la parte posterior de la misma con nueve tornillos (3/16" x 3/8") (incluidos) como se muestra en la Figura 16.

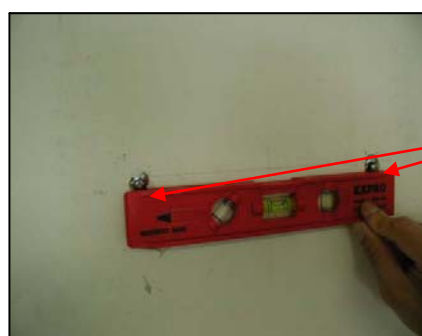
### Instalación de la Campana

**PRECAUCIÓN:** Si fuera necesario mover la estufa para instalar la campana, desconecte la electricidad en la caja eléctrica principal, si es una estufa eléctrica. **APAGUE EL GAS ANTES DE MOVER UNA ESTUFA DE GAS.**

1. Utilizando las referencias en la Tabla 2 y las medidas en las páginas 88-89, marque el punto de nivel de la campana. Posicione dos tornillos de montaje (no incluidos) en la pared, dejando un espacio de 1/8" lejos de la pared como se muestra en la Figura 17.



Figura 16



Tornillos de montaje

Figura 17

2. Alinee el soporte de montaje de la campana con los dos tornillos en la pared y engánchela en su lugar. Apriete los tornillos para asegurar la campana a la pared. **PRECAUCIÓN: ASEGÚRESE QUE LA CAMPANA ESTÉ FIJA ANTES DE SOLTARLA.**

### Instalación de la Cubierta de Conductos

3. Marque la posición del soporte de montaje de la cubierta de conductos. Utilice la referencia E de la Tabla 2 y las medidas en las páginas 88-89. Coloque y fije el soporte de montaje de la cubierta de conductos con dos tornillos (no incluidos). Consulte la Figura 18. **NOTA:** La cubierta interna de conductos cubrirá el soporte de montaje de la cubierta de conductos.
4. Utilice un tubo de aluminio o acero para conectar el escape plástico en la campana a la red de conductos de arriba. Utilice cinta de aislar para hacer que las uniones queden seguras y herméticas.
5. Conecte los cables eléctricos. Consulte el "Cableado a la Fuente de Alimentación" en la página 83.
6. Deslice la cubierta interna de conductos hasta 2 pulgadas antes de deslizar completamente la cubierta de conductos en la campana. Consulte la Figura 19.





Figura 18



Figura 19

7. Ajuste el alto de la cubierta interna de conductos al soporte de montaje de la cubierta de conductos. Asegure la cubierta interna de conductos con dos tornillos de (4x8 mm) (incluidos) como se muestra en la Figura 20.



Fíjelos Juntos

Figura 20

8. Sujete la cubierta externa de conductos con el escape de multi-conductos de ventilación en la campana utilizando cuatro tornillos de (4x8 mm)(incluidos).

## INSTALACIÓN INDEPENDIENTE – VENTILACIÓN POSTERIOR

\*\*\*Esta instalación sólo aplica con la compra de una cubierta de conductos (Modelo No. CH1120DC).

### Preparación antes de la Instalación

NOTA: PARA EVITAR CAUSAR DAÑOS A SU CAMPANA, EVITE QUE DESECHOS PENETREN EN LA RENDIJA DE VENTILACIÓN

- Decida la ubicación para colocar el conducto de ventilación de la campana hacia el exterior. Consulte la Figura 21
- Un ducto de escape recto y corto permitirá que la campana trabaje con más eficiencia.
- Intente evitar tantas conexiones, codos y ductos largos como sea posible. Esto podría reducir el rendimiento de la campana.
- Utilice cinta de aislar para sellar las uniones entre las secciones del tubo.
- Si fuera necesario, prepare un marco posterior en la pared con madera de entramado para una instalación segura.
- Utilizando las referencias de la Tabla 2 y las medidas en la página 88-89, decida el nivel de la madera. Consulte la Figura 22.

### Preparación de la Campana antes de la Instalación

- Conecte la campana temporalmente para probar su operación antes de instalar.
- Retire la película protectora de la campana y de la cubierta de conductos (si hubiera alguna).
- Remueva los tornillos de la cubierta de ventilación (posterior) y corte sobre la línea de la cubierta interna de ventilación (posterior). Consulte la Figura 23.
- Corte el orificio de la cubierta de ventilación (posterior) y regrese al otro lado. Consulte la Figura 24.

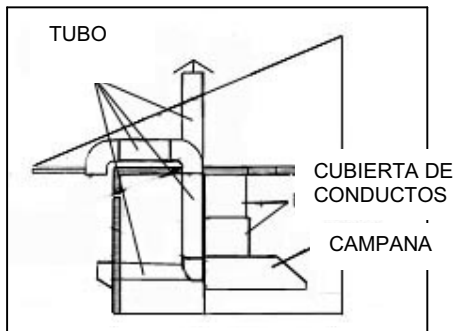


Figura 21

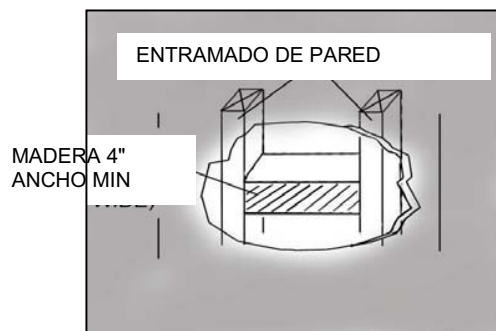
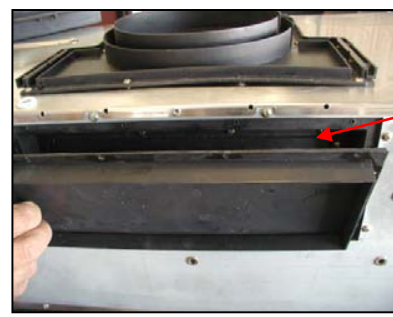


Figura 22



Cubierta de Ventilación Interna (Posterior)



Cubierta de Ventilación Revertida (Posterior)

- Si fuera necesario, coloque dos bases de goma (incluidas) con dos tornillos de (4x8 pulgadas) (incluidos) a la parte posterior de la campana.

Figura 24

- Coloque el soporte de montaje de la campana a la parte posterior de la misma con nueve tornillos de (3/16" x 3/8")(incluidos) como se muestra en la Figura 25.

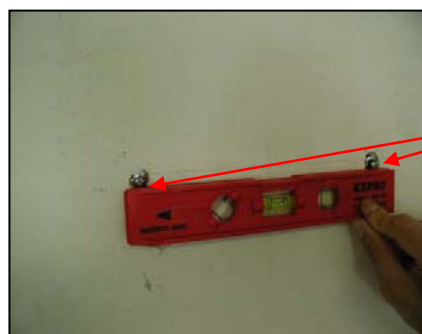
### Instalación de la Campana

**PRECAUCIÓN:** Si fuera necesario mover la estufa para instalar la campana, desconecte la electricidad en la caja eléctrica principal si es una estufa eléctrica. **APAGUE EL GAS ANTES DE MOVER UNA ESTUFA DE GAS.**

1. Utilizando las referencias en la Tabla 2 y las medidas en las páginas 88-89, marque el punto de nivel de la campana. Posicione dos tornillos de montaje (no incluidos) en la pared, dejando un espacio de 1/8" lejos de la pared como se muestra en la Figura 26.



Figura 25



Tornillos de Montaje

Figura 26

2. Utilice un tubo de aluminio o acero para conectar el orificio de escape ubicado en la parte posterior de la campana con la red de conductos. Utilice cinta de aislar para hacer que todas las uniones queden seguras y herméticas.
3. Alinee el soporte de montaje de la campana con los dos tornillos en la pared y enganche la campana en su lugar. Apriete los tornillos para asegurar la campana en la pared.  
**PRECAUCIÓN: ASEGÚRESE QUE LA CAMPANA ESTÉ FIJA ANTES DE SOLTARLA.**

### Instalación de la Cubierta de Conductos

4. Marque la posición del soporte de montaje de la cubierta de conductos. Utilice la referencia E de la Tabla 2. Coloque y asegure el soporte de montaje de la cubierta de conductos con dos tornillos (no incluidos). Consulte la Figura 27. **NOTA:** La cubierta interna de conductos cubrirá el soporte de montaje.
5. Conecte los cables eléctricos. Consulte "Cableado a la Fuente de Alimentación" en la página 83.
6. Deslice la cubierta interna de conductos hasta 2 pulgadas antes de deslizar completamente la cubierta de conductos en la campana. Consulte la Figura 28.



Figura 27



Figura 28

7. Ajuste la altura de la cubierta interna de conductos al soporte de montaje de la cubierta de conductos. Asegure la cubierta interna de conductos con dos tornillos de (4x8 mm) (incluidos) como se muestra en la Figura 29.



Fíjelos Juntos

Figura 29

8. Fije la cubierta externa de conductos con el escape de multi-conductos de ventilación en la campana con cuatro tornillos de (4x8 mm) (incluidos).

## **⚠️ ADVERTENCIA DE SEGURIDAD**

RIESGO DE ELECTROCUCIÓN. ESTA CAMPANA DE EXTRACCIÓN DEBE TENER UNA CONEXIÓN A TIERRA ADECUADA. ASEGÚRESE QUE ESTO SEA REALIZADO POR UN ELECTRICISTA ESPECIALIZADO DE ACUERDO CON TODOS LOS CÓDIGOS ELÉCTRICOS APLICABLES NACIONALES Y LOCALES. ANTES DE CONECTAR LOS CABLES, DESCONECTE EL SUMINISTRO ELÉCTRICO EN EL PANEL DE SERVICIO Y CIERRE EL PANEL DE SERVICIO PARA PREVENIR QUE LA UNIDAD SE ENCIENDA ACCIDENTALMENTE.

1. Conecte los cables eléctricos.
  - Si fuera necesario esconder los cables de las conexiones eléctricas, empuje los cables dentro de la caja de cables. Tendrá acceso a las conexiones del cableado debajo de la campana removiendo los seis tornillos de la carcasa inferior. Antes de volver a colocar la carcasa inferior, asegúrese que los cables no se resbalen entre los motores, impulsores o cualquier parte que se mueva para prevenir daños.
  - Conecte tres cables (negro, blanco y verde) a los cables de la casa y tápelos con los conectores de cables.
  - Conéctelos de acuerdo a su color: negro con negro, blanco con blanco y verde con verde.
  - Pruebe la operación de la campana antes de seguir con el siguiente paso. Asegúrese que la energía esté llegando a la campana.

### Ensamblado Final

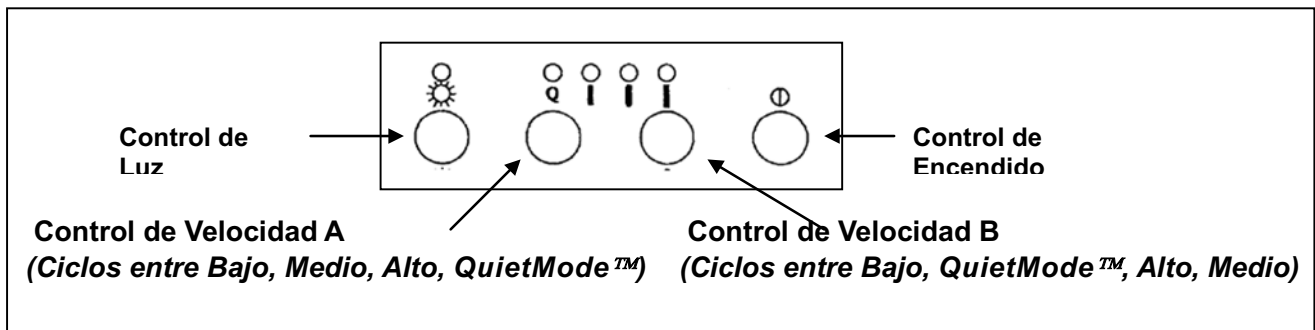
1. ENCIENDA en el panel de control. Revise el funcionamiento de todas las luces y el ventilador.
2. Asegúrese de dejar este manual para el propietario de la vivienda.

## INSTRUCCIONES DE OPERACIÓN

Esta campana KOBE está equipada con cuatro controles electrónicos con un encendido en espera de 10 segundos y una desactivación luego de 30 segundos de retraso, dos poderosos impulsores de turbina centrífuga con pantallas de seguridad, dos focos brillantes de halógeno de 12-voltios 20-watios y cuatro recipientes para aceite.

Los cuatro controles electrónicos son: Control de Luz, Control de Velocidad A (ciclos entre Bajo, Medio, Alto, Modo Silencioso-QuietMode™), Control de Velocidad B (ciclos entre Bajo, Modo Silencioso-QuietMode™, Alto, Medio) y el Control de Encendido/Apagado. Consulte la Figura 30.

Figura 30



### Encendido:

- Presione el Botón de Control de Encendido/Apagado una vez. (Si cualquiera de los botones de Control no se presiona dentro de 10 segundos, la unidad se apagará automáticamente).
- La campana KOBE iniciará en velocidad Baja. Cada vez que se presione el botón de Control de Velocidad se cambiará a las diferentes velocidades.
- Presione el botón de Control de Velocidad A para cambiar de Bajo, Medio, Alto o Modo Silencioso-QuietMode™. Presiones el botón de Control de Velocidad B para cambiar de Bajo, Modo Silencioso-QuietMode™, Alto o Medio.
- Presione el botón de Control de Luz para encender el foco de halógeno.

### Apagado:

- Presione el botón de Control de Encendido/Apagado una vez, las luces del panel titilarán y la unidad se apagará completamente luego de 30 segundos.
- Presione el botón de Control de Encendido/Apagado dos veces, la unidad se apagará inmediatamente.
- Si solo las luces están encendidas, presionar el botón de Control de Encendido/Apagado una sola vez apagará la unidad luego de 30 segundos.

## MANTENIMIENTO

### **⚠️ ADVERTENCIA DE SEGURIDAD**

**NUNCA COLOQUE SU MANO DENTRO DEL ÁREA DONDE SE ENCUENTRA EL VENTILADOR MIENTRAS ÉSTE SE ENCUENTRE FUNCIONANDO.**

#### Limpiando la Superficie de la Campana

**⚠️ PRECAUCIÓN:** NUNCA UTILICE LIMPIADORES, ALMOHADILLAS, PAÑOS ABRASIVOS. NO UTILICE TOALLAS DE PAPEL SOBRE EL ACERO INOXIDABLE.

Para un funcionamiento óptimo, limpie la campana de extracción y todos los deflectores/separadores/filtros/conductos de aceite/recipientes para aceite con regularidad.

\*\*\* El cuidado regular ayudará a preservar la apariencia de la campana.

1. Utilice solamente jabón o soluciones detergentes suaves. Seque las superficies utilizando un paño suave. NO UTILICE TOALLAS DE PAPEL.
2. Si la campana se ve manchada (campana de acero inoxidable), utilice un limpiador para acero inoxidable para limpiar la superficie de la campana. Evite que la solución de limpieza caiga sobre o dentro el panel de control. Siga las instrucciones del limpiador de acero inoxidable. **Precaución: No lo deje por mucho tiempo pues podría dañar el acabado de la campana.** Utilice una toalla suave para limpiar la solución de limpieza y frote cuidadosamente cualquier área difícil de limpiar. Utilice una toalla suave y seca para secar la campana.
3. NO permita que depósitos se acumulen o permanezcan sobre la campana.
4. NO utilice lana de acero o cepillos de acero ordinarios. Pequeños pedazos de acero podrían adherirse a la superficie y causar óxido.
5. NO permita que soluciones de sal, desinfectantes, blanqueadores o compuestos de limpieza permanezcan en contacto con el acero inoxidable por periodos de tiempo prolongados. Muchos de estos compuestos contienen químicos que podrían ser perjudiciales. Enjuague con agua después del contacto y seque con un paño limpio libre de pelusas.

#### Para limpiar los Recipientes para Aceite, Pantallas de Seguridad e Impulsores

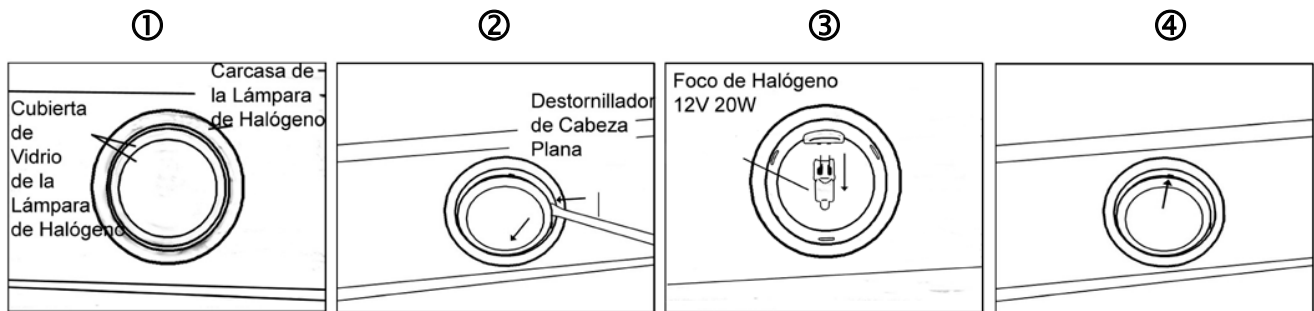
**PRECAUCIÓN:** DRENE LOS RECIPIENTES PARA ACEITE ANTES DE QUE EL ACEITE SE DERRAME.

- 1) Limpieza Normal
  - Rocíe un desgrasante suave en el ventilador y encienda a velocidad alta. El residuo líquido se acumulará en los recipientes para aceite.
- 2) Limpiando los Recipientes para Aceite
  - Remueva el recipiente para aceite (redondo) girándolo en contra de las agujas del reloj.
  - Remueva el recipiente para aceite (ovalado) deslizándolo hacia adelante.
  - Lave con agua tibia jabonosa. Seque completamente antes de colocarlo nuevamente en su lugar.
  - *Se puede lavar en el tramo superior del lavaplatos automático.*
- 3) Limpiando las Pantallas de Seguridad
  - Remueva el tornillo de la pantalla de seguridad y deslícela hacia afuera.
  - Lave con agua tibia jabonosa. Seque completamente antes de regresarla a su lugar.
  - *Se puede lavar en el tramo superior del lavaplatos automático.*

### Para Reemplazar el Foco

**PRECAUCIÓN: ¡LA UNIDAD DE LA LÁMPARA DE HALÓGENO PODRÍA ESTAR CALIENTE!  
ESPERE HASTA QUE SE ENFRÍE**

**NOTA: NO TOQUE LA LÁMPARA DE HALÓGENO CON LAS MANOS DESPROTEGIDAS, PUES PODRÍA CAUSAR SOBRECALENTAMIENTO Y REDUCIR EL TIEMPO DE VIDA DE LOS FOCOS.**



1. Asegúrese que todos los controles se encuentren APAGADOS y que la campana de extracción se encuentre desconectada.
2. Coloque el destornillador de cabeza plana en la ranura localizada entre la cubierta de vidrio de los focos de halógeno y la carcasa ①.
3. Retire cuidadosamente la cubierta de vidrio de la carcasa ②.
4. Hale suavemente el foco inservible ③ y deséchelo. Los focos deberán ser de 12V 20W como máximo.
5. Utilice un guante o un paño para sujetar el nuevo foco y empújelo para colocarlo en el receptáculo para focos. NOTA: NO LO EMPUJE DEMASIADO FUERTE PUES PODRÍA QUEBRAR EL CONECTOR PARA FOCO.
6. Coloque nuevamente la cubierta de vidrio de los focos de halógeno ④.
7. Enchufe nuevamente el cable de corriente y encienda la campana de extracción para verificar su funcionamiento.



## ESPECIFICACIONES

MODELO / TAMAÑO	CH2730SQ / 30" CH2736SQ / 36" CH2742SQ / 30" CH2748SQ / 36"			
COLOR	Acero Inoxidable de Clasificación Comercial			
CONSUMO / AMPERIOS	CH2730SQB – 232W / 2.21A CH2736SQB – 232W / 2.21A CH2742SQB – 253W / 2.38A CH2748SQB – 258W / 2.41A			
NUMERO DE MOTORES	2			
DISEÑO	Liso Calibre 18 / Acabado Satinado			
TIPO DE VENTILADOR	Impulsor de Doble Turbina			
EXTRACTOR	Superior – Redondo de 6" Redondo de 7" Rectangular de 3-1/4" x 10" Posterior – Rectangular de 3-1/4" x 10"			
CONTROLES	Control Electrónico (4 Botones) – Encendido en Espera de 10 Segundos Apagado con Retraso de 30 Segundos			
FOCOS DE HALÓGENO	CH2730SQB - 12V 20W x 2 CH2736SQB - 12V 20W x 2 CH2742SQB - 12V 20W x 3 CH2748SQB - 12V 20W x 3			
DIMENSIÓN DE LA CAMPANA (ANCHO x PROFUNDIDAD x ALTO)	(CH2730SQB) 29-3/4" x 22" x 7" (CH2736SQB) 35-3/4" x 22" x 7" (CH2742SQB) 41-3/4" x 22" x 7" (CH2748SQB) 47-3/4" x 22" x 7"			
ACCESORIOS OPCIONALES (ANCHO x PROFUNDIDAD x ALTO)	1. Cubierta de Conductos Ajustable de Dos Piezas (CH1120DC) 11-3/4" x 10-1/4" x (20-5/8" ~ 39-3/4") 2. Panel Posterior de Acero Inoxidable de 30" (SSP30) 30" x 1/10" x 32" 3. Panel Posterior de Acero Inoxidable de 36" (SSP36) 36" x 1/10" x 32"			
PESO (lbs)		<u>Neto</u>	<u>Bruto</u>	
	(CH2230SQ)	45.2	64.0	
	(CH2236SQ)	46.2	66.0	
	(CH2242SQ)	49.6	70.5	
	(CH2248SQ)	53.0	75.0	
VELOCIDAD	Modo Silencioso QuietMode™	Bajo	Medio	Alto
Capacidad de Aire (cfm)*	280	430	580	720
Sonio	1.0*	2.8	4.2	4.5

\*Prueba de Presión Estática Realizada Internamente "0". Un sonio es equivalente al sonido de un refrigerador de 40 decibeles.

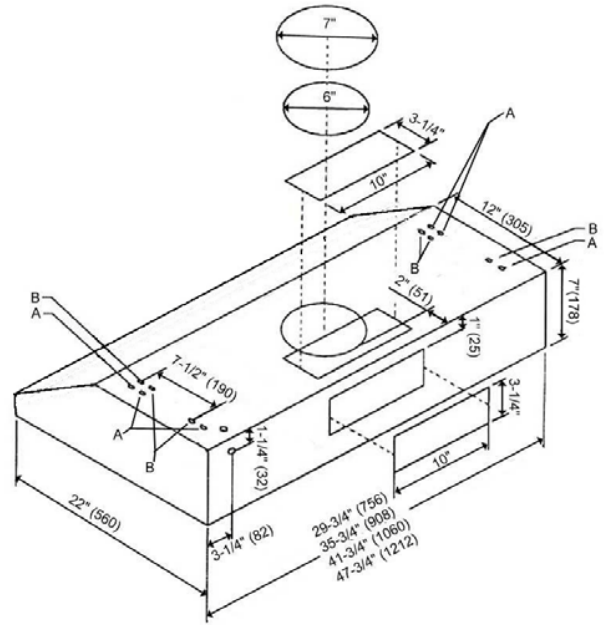
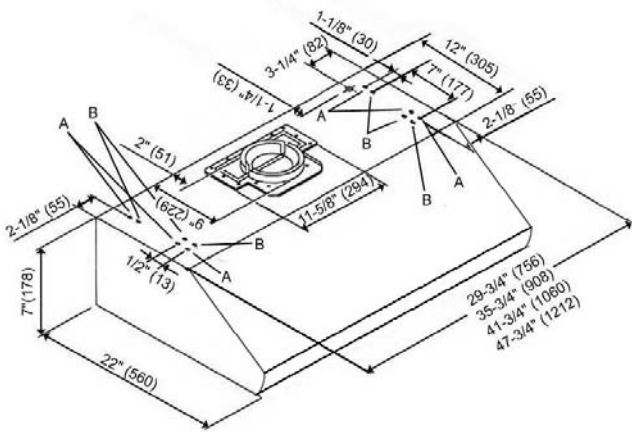
\*\*Las especificaciones están sujetas a cambio sin previo aviso

# MEDIDAS Y DIAGRAMAS

\*\*\*Todas las medidas en pulgadas han sido convertidas de milímetros. Las medidas en pulgadas son medidas aproximadas.

\*\*\*Todas las medidas ( ) están en milímetros.

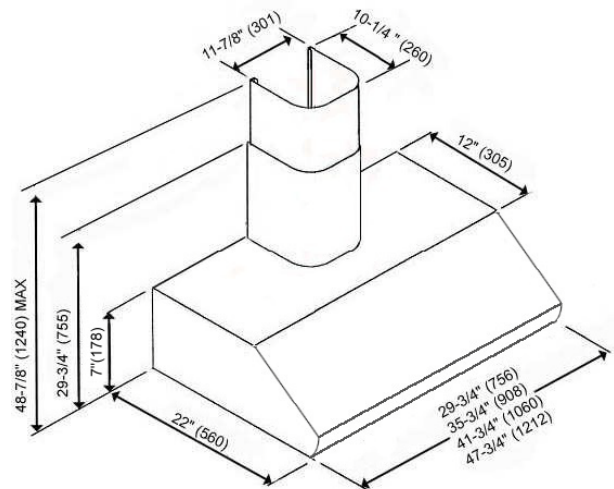
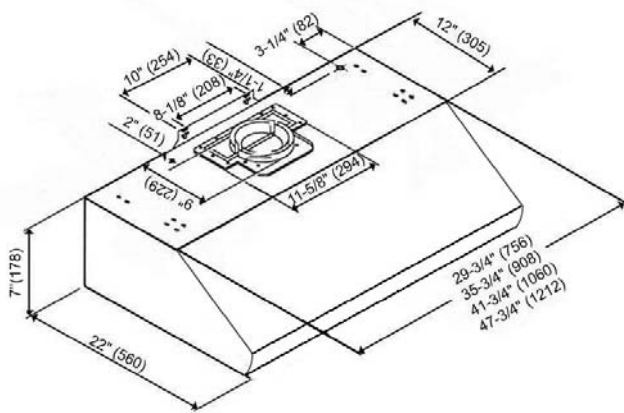
## - PARA DEBAJO DEL GABINETE -



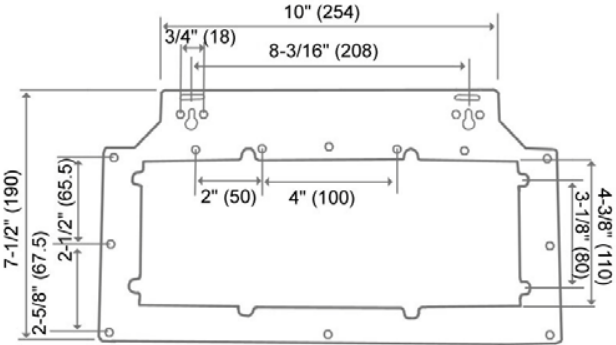
30" = Agujeros preperforados "A"

36", 42", 48" = Agujeros preperforados "A" y "B"

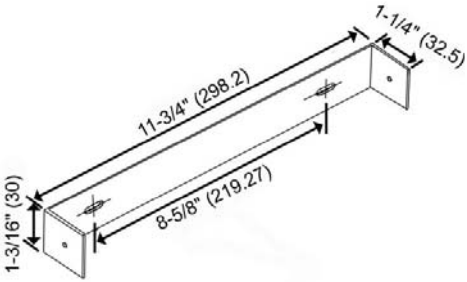
## - PARA INSTALACIÓN INDEPENDIENTE (CON CUBIERTA DE CONDUCTOS OPCIONAL)



\*\*\*Soporte de Montaje de la Campana



\*\*\*Soporte de Montaje de la Cubierta de Conductos



# LISTADO DE PIEZAS

**MODELO NO.:** CH2730SQB  
 CH2736SQB  
 CH2742SQB  
 CH2748SQB

NO.	DESCRIPTION	MODELO /TAMAÑO .	PIEZA NO.
1	Escape de Multi Conductos		C1-0507-1530
2	Cubierta de Ventilación (Superior)		B101-1530-12
3	Cubierta de Ventilación (Posterior)		C1-0508-1530-A
4	Marco de la Cubierta de Ventilación		C1-0508-1530-B
5	Carcasa de la Campana	CH2730SQB	10-4930B-51
		CH2736SQB	10-4936B-51
		CH2742SQB	10-4942B-51
		CH2748SQB	10-4948B-51
6	Lámpara de Halógeno (12Vatios 20Watts Max.)		C1-0403-0101
7	Unidad de Control		C1-0501-0101
8	Panel de Control		C1-0404-4001-A
9	Soporte del Transformador		C1-0201-1530
10	Transformador (Motor)	CH2730SQB	C1-0402-0120-40
		CH2736SQB	C1-0402-0120-40
		CH2742SQB	C1-0402-0120-60
		CH2748SQB	C1-0402-0120-60
11	Cámara de Aire		
A	Cámara de Aire (Superior)	CH2730SQB	C1-0101-1530
B	Cámara de Aire (Lateral)	CH2736SQB	C1-0102-1530
A	Cámara de Aire (Superior)	CH2742SQB	C1-0101-1542
B	Cámara de Aire (Lateral)	CH2748SQB	C1-0102-1542
12	Transformador (Luz)		C1-0402-A120-01
13	Condensador		C1-0401-0120-01
14	Caja del Panel Procesador		C1-0501-0102
15	Panel Procesador		C1-0404-4110-B
16	Tornillo de Cabeza Redonda (1/8" x 3/8")		C1-0708-0003
17	Tornillo de la Posición del Motor (TS 1/4" x 7/16")		C1-0703-0001
18	Motor (Derecha)		C1-0301-0120-23B
19	Motor (Izquierda)		C1-0301-0120-23A
20	Impulsor de la Turbina (Derecha)		C1-0251-0880-B
21	Impulsor de la Turbina (Izquierda)		C1-0251-0880-A
22	Sello del Conducto de Aceite		C1-0502-0301
23	Conducto de Aceite		C1-0502-0102
24	Cubierta Plástica del Impulsor		C1-0251-0001
25	Pantalla de Seguridad		C1-0602-0101
26	Tornillo de la Pantalla de Seguridad		C1-0705-0001
27	Filtro Deflector		B101-4930-09
28	Carcasa Inferior		B101-4930-09

(Cubierta de Conductos Opcional)

NO.	DESCRIPCIÓN	MODELO /TAMAÑO	PIEZA NO.
01	Soporte de Montaje de la Campana		C1-0221-1530
02	Tornillos (TS 4 x 8 mm)		C1-0708-0006
03	Cubierta de Conductos	CH1120DC	12-15300-51
04	Soporte de Montaje de la Cubierta de Conductos		C1-0221-1530
05	Tornillo (3/16" X 3/8")		C1-0707-0001
06	Base de Goma		C1-0511-0382
07	Tornillo (TS 4 X 8 mm)		C1-0708-0006

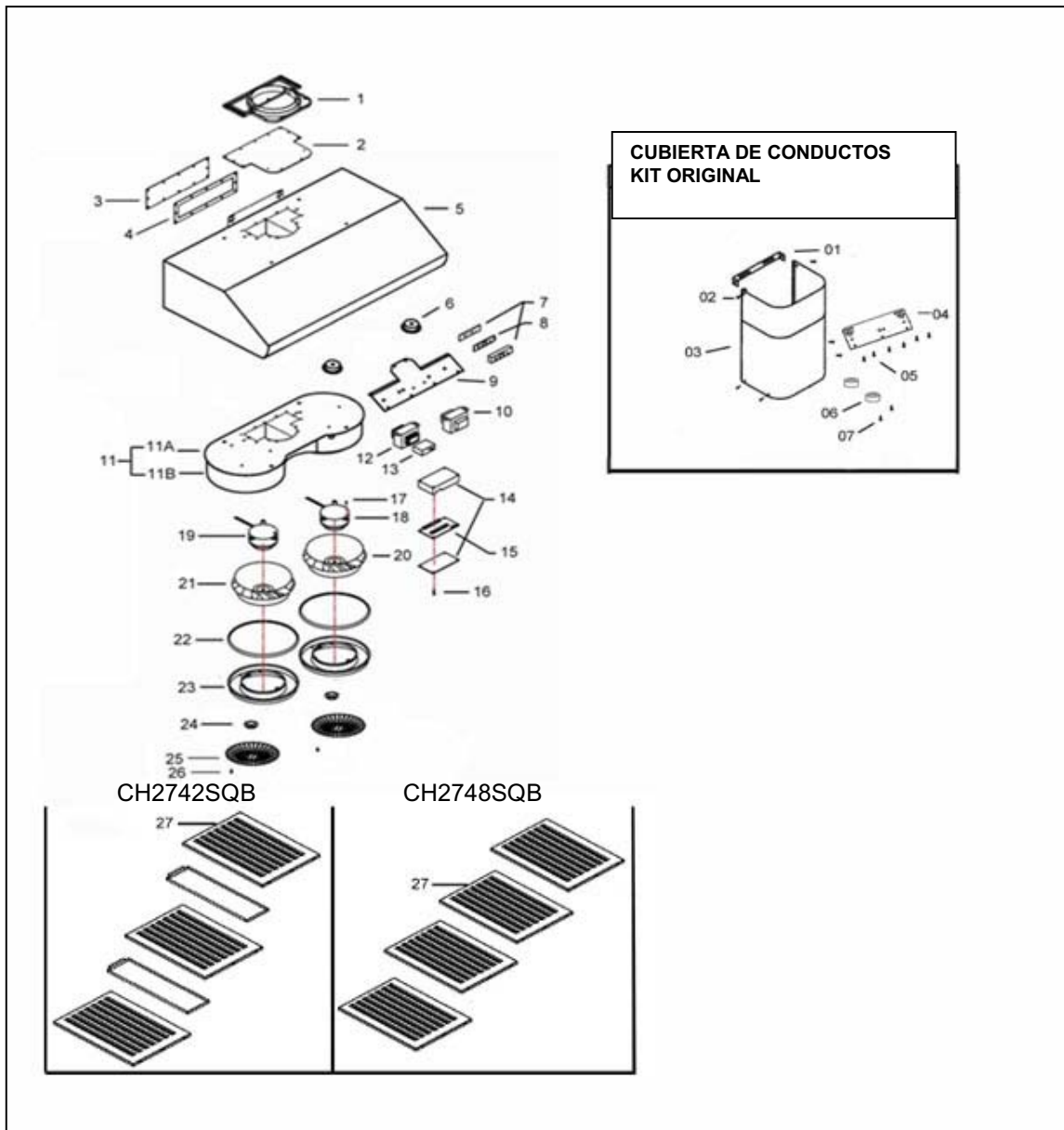
**MODELO NO.:** CH2730SQB  
CH2736SQB

CUBIERTA DE CONDUCTOS  
KIT ORIGINAL

CH2730SQB

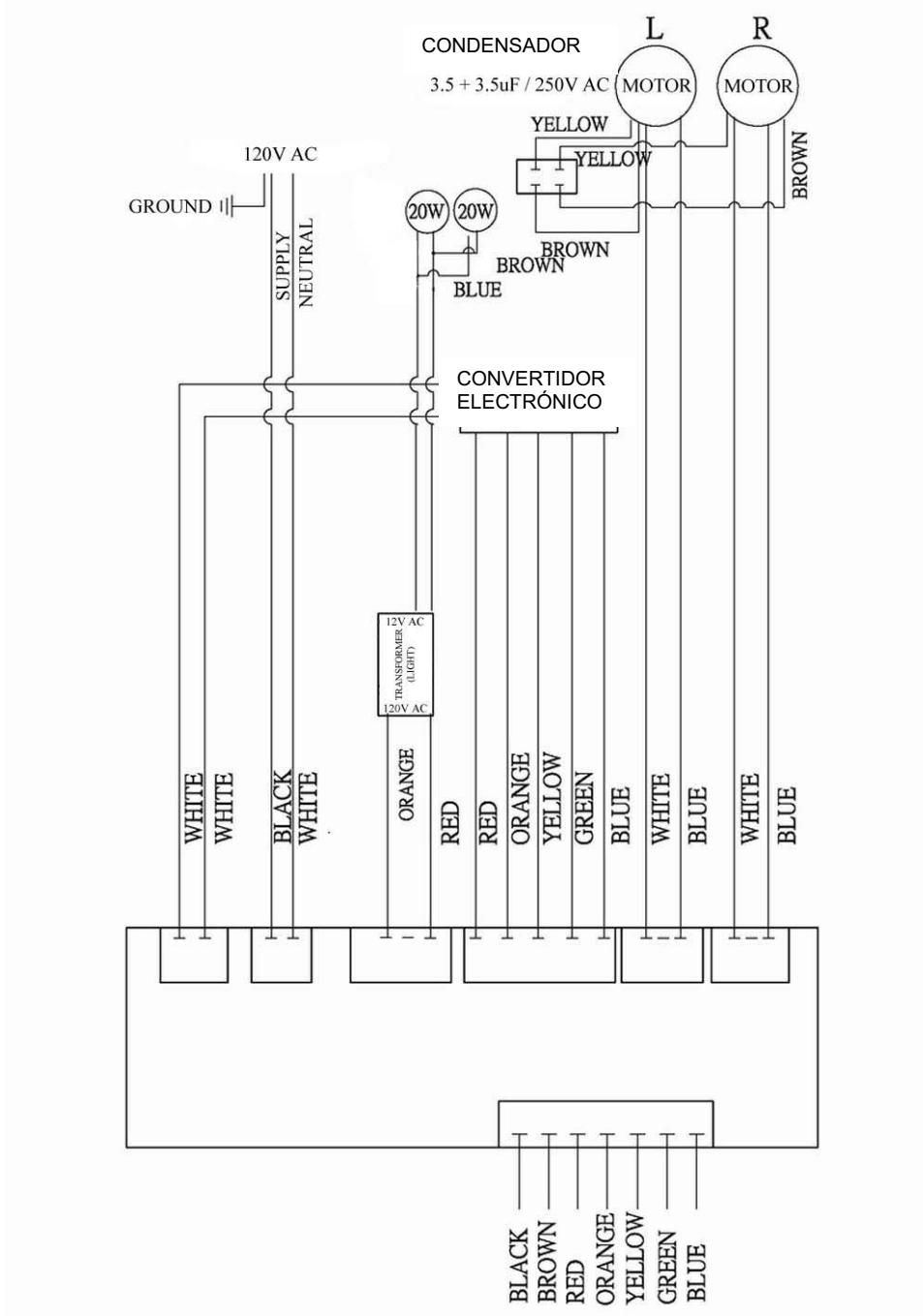
CH2736SQB

MODELO NO.: CH2742SQB  
CH2748SQB



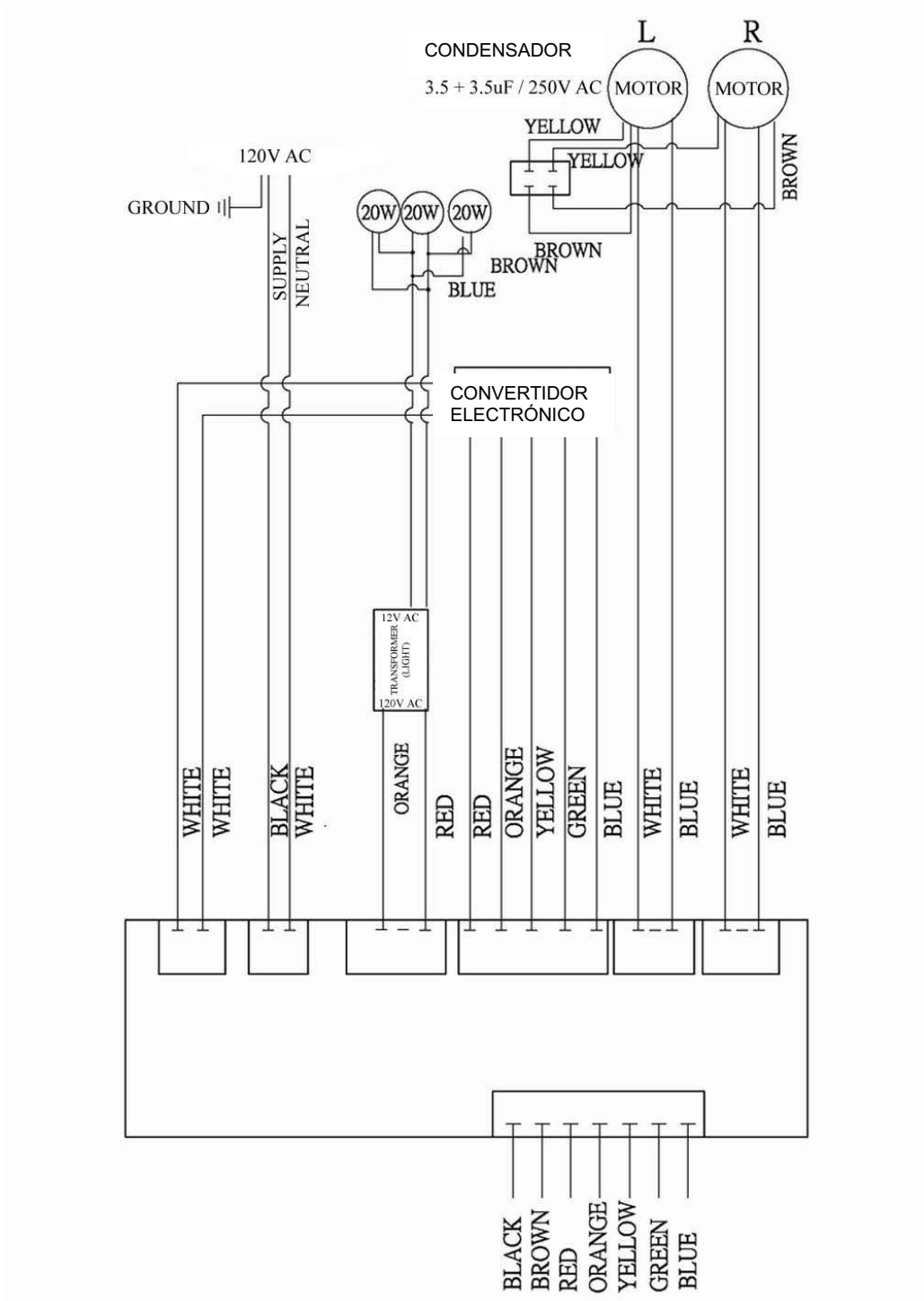
# DIAGRAMA DE CIRCUITO

MODELO NO.: CH2730SQB  
CH2736SQB



White=Blanco    Black=Negro    Orange=Naranja    Red=Rojo  
Blue=Azul    Green=Verde    Yellow=Amarillo    Brown=Café

MODELO NO.: CH2742SQB  
CH2748SQB





## INSTRUCCIONES IMPORTANTES DE SEGURIDAD

Problema	Posible Causa	Solución
Después de la Instalación, ninguno de los motores ni las luces están funcionando.	No está encendido.	Asegúrese que el interruptor de circuitos y la unidad se encuentren encendidos. Utilice un medidor de voltaje para verificar la energía de entrada.
	La conexión de cables no está bien sujeta.	Verifique y ajuste la conexión de cables.
	El cableado del panel de control y la placa de procesador está desconectado.	Verifique la continuidad del cable desde el panel de control hasta la placa de procesador.
	El transformador del motor está defectuoso.	Verifique la entrada y salida de la corriente el transformador del motor. De ser necesario, reemplace el transformador del motor.
	El panel de control y la placa de procesador están defectuosos.	Reemplace el panel de control o la placa de procesador.
Las luces están funcionando pero el(los) motor(es) no.	El/los motor(es) está(n) defectuoso(s).	Reemplace el motor.
	El/los condensador(es) está(n) defectuoso(s).	Reemplace el(los) condensador(es).
	El panel de control o la placa de procesador están defectuosos.	Reemplace el panel de control o la placa de procesador.
La campana de extracción está vibrando.	El sistema de ventilador no está bien sujeto.	Tighten the turbine impeller/squirrel cage and air chamber.
	El impulsor de turbina/jaula de ardilla no está balanceado.	Ajuste el impulsor de turbina/jaula de ardilla y la cámara de aire.
	La campana no está bien sujeta en su lugar	Verifique la instalación de la campana, ajuste el soporte de montaje.
El motor está funcionando pero las luces no.	El(los) foco(s) de la Lámpara de Halógeno está(n) defectuoso(s).	Intente colocar el foco que le está dando problemas en otro receptáculo que funcione, si aún así éste no funciona, reemplace el foco de halógeno.
	El cableado de la luz está flojo.	Verifique la continuidad del cable desde la placa de procesador al transformador de la luz hasta la caja de la lámpara de halógeno.
	El transformador de la luz está defectuoso.	Verifique la entrada y salida de la corriente en el transformador de la luz. De ser necesario, reemplace el transformador de la luz.
	El panel de control o la placa de procesador están defectuosos.	Reemplace el panel de control o la placa de procesador.
La campana de extracción no está ventilando correctamente.	La campana de extracción no se encuentra instalada en el espacio recomendando por el fabricante.	Ajuste el espacio entre la campana y la parte superior de la estufa a 27" a 30". Para la campana de cocina de isla, el espacio entre la campana y la parte superior de la estufa deberá ser de 30" a 36"
	No hay aire de reposición en la casa.	Abra la ventana para optimizar el rendimiento de la campana de extracción creando suficiente aire de reposición.
	Una obstrucción bloquea la red de conductos.	Remueva todas las obstrucciones de la red de conductos.
	El tamaño del tubo es más pequeño que el tubo recomendado.	Cambie los tubos de acuerdo con la recomendación del fabricante.
Aire frío entra en la casa	La conexión de los conductos no está sellada correctamente.	Verifique la instalación de los tubos
	El regulador no está instalado adecuadamente o no ha sido instalado.	Verifique la instalación del regulador.
	El regulador no está instalado.	Instalar el regulador le ayudará a eliminar el reflujó de aire.

## CLÁUSULA DE EXENCIÓN

1. **INSPECCIONE CUIDADOSAMENTE TODOS LOS ARTÍCULOS VERIFICANDO QUE NO EXISTAN DAÑOS ANTES DE ACEPTAR LA ENTREGA. ANOTE CUALQUIER DAÑO EN LA FACTURA DE TRANSPORTE O EN EL RECIBO. PIDA EL NOMBRE Y FIRMA DEL AGENTE DE TRANSPORTE Y CONSERVE UNA COPIA PARA RESPALDAR SU RECLAMO.** Al momento de aceptar los artículos, el propietario asume la responsabilidad de que lleguen de manera segura. Reporte los daños al transportista y presente un reclamo inmediatamente. El no hacerlo podría resultar en un rechazo de su reclamo. El transportista le entregará los formularios necesarios para presentar un reclamo.  
**LOS DAÑOS CAUSADOS DURANTE EL TRANSPORTE NO SE ENCUENTRAN CUBIERTOS BAJO NUESTRA GARANTÍA.**
2. **POR FAVOR, ¡INSPECCIONE LOS CONTENIDOS DEL PAQUETE(S) CUIDADOSAMENTE AL RECIBIRLOS!**  
Se nos deberá notificar por escrito sobre cualquier daño y/o piezas faltantes dentro del periodo de días establecidos luego de haber recibido su paquete(s). Contacte a su distribuidor o concesionario KOBE o llame a KOBE para obtener información sobre el límite de tiempo. **LOS RECLAMOS NO SERÁN ACEPTADOS DESPUÉS DEL PERIODO DE DÍAS ESTABLECIDOS.** NOTA: LOS ARTÍCULOS FUERON SOMETIDOS A PRUEBAS Y EMPACADOS CUIDADOSAMENTE EN NUESTRA FABRICA ANTES DE SU ENVÍO.
3. Los productos deberán ser devueltos en buen funcionamiento con TODAS las piezas y documentación originales y empacados en TODAS los cartones, rellenos y cajas de envío originales. Se cobrará una tarifa por reposición de existencias del 25% para todas las devoluciones aprobadas.  
**LOS CAMBIOS O DEVOLUCIONES PODRÍAN NO ACEPTARSE SI FALTARA ALGÚN MATERIAL DE EMPAQUE.**
4. **ASEGÚRESE DE INSPECCIONAR LA CAMPANA VERIFICANDO QUE NO EXISTAN DAÑOS O DEFECTOS ANTES DE INSTALARLA.** Las imperfecciones en la apariencia de la campana que se encuentren después de que ésta haya sido instalada y que no afecten el rendimiento de la misma, no se encuentran cubiertas bajo nuestra garantía sobre devoluciones o cambios. Las visitas de servicio que no se encuentran cubiertas bajo la garantía incurrirán un cargo por servicio.
  - A) Antes de la Instalación: Envíe de vuelta para cambio o reembolso (por favor consultar lo anterior para averiguar sobre las devoluciones aceptadas).
  - B) Después de la Instalación: **NO** habrá ningún cambio ni reembolso.

# **GARANTÍA**

## **CERTIFICADO DE GARANTÍA**

KOBE Range Hoods, garantiza que todos los productos fabricados o proporcionados por la compañía se encontrarán libres de defectos en cuanto a mano de obra y materiales. Sus obligaciones según esta garantía se encuentran limitadas a un periodo de dos años a partir de la fecha de compra y a reparar o reemplazar a su elección y sujeto a los términos y condiciones establecidas a continuación, cualquier pieza, que luego de ser examinada demuestre que estaba defectuosa.

### **PERIODO DE SERVICIO DE LA GARANTÍA DE DOS AÑOS**

Cualquier avería cubierta que ocurra dentro de un periodo de dos años a partir de la fecha de compra original que surja a causa de mano de obra o material defectuoso de fábrica será reparada (o reemplazada a nuestra discreción) sin costo alguno por parte de un Agente autorizado de KOBE Range Hoods o KOBE Range Hoods según corresponda. Tenga a la mano un comprobante de compra (o la factura original) para su verificación.

Si la campana de extracción ha sido vendida por el comprador original durante el periodo de garantía, el nuevo propietario estará protegido hasta que la garantía del comprador original se venza.

### **CONDICIONES**

Las siguientes condiciones aplican solamente en relación a la garantía otorgada explícitamente por este certificado.

- 1) Esta garantía aplica solamente:
  - a) dentro de EE.UU. y Canadá.
  - b) a las campanas de extracción de USO UNIFAMILIAR PRIVADO (si han sido utilizadas COMERCIALMENTE o USO MULTIFAMILIAR u otros propósitos, la garantía se anulará).
- 2) La reparación de cualquier avería a proporcionarse bajo esta garantía no se proporcionará:
  - a) si el número de identificación colocado en la campana de extracción ha sido alterado, se considera ilegible o ha sido removido;
  - b) si no se ha presentado una notificación del defecto dentro del periodo de tiempo correspondiente;
  - c) fallo de los focos de la luz o lámparas de calor;
  - d) por daños físicos;
  - e) por superficies dañadas por la utilización de agentes de limpieza químicos no adecuados;
  - f) si el aparato ha:
    - i) estado sujeto a uso inadecuado, abuso, negligencia, accidentes, instalación incorrecta o el no seguir las instrucciones de operación;
    - ii) sido conectado a fuentes eléctricas, conductos de extracción, tubos o cubierta de conductos inadecuados, incorrectos o defectuosos, u operado utilizando lubricantes contaminados o incorrectos;
    - iii) sido instalado, mantenido u operado de manera distinta a lo que se ha estipulado en las instrucciones proporcionadas por KOBE Range Hoods incluyendo el uso inadecuado de detergentes, blanqueadores o limpiadores.
  - g) por daños causados a la campana de extracción durante su transporte, entrega, instalación o al quitarla;
  - h) por daños causados por o que resulten de reparaciones conducidas por cualquier otra persona que no sea nuestro Agente de Servicio Autorizado.

- i) ruido o vibración causada por una instalación incorrecta de la campana de extracción y/o el regulador.
- 3) El comprador será el responsable de cualquier gasto relacionado por hacer que la campana de extracción se encuentre disponible para que se le dé servicio y en caso de que la campana de extracción se encuentre instalada fuera del territorio de venta principal del minorista o el territorio de servicio del Agente autorizado de KOBE Range Hoods más cercano según corresponda, así como de cualquier gasto de viaje y cualquier costo de transporte de la campana de extracción y piezas desde y hacia el concesionario y Agente de Servicio.
- 4) El comprador deberá proporcionar un comprobante de compra junto con este certificado de garantía al presentar un reclamo.
- 5) Los daños causados durante el envío no se encuentran cubiertos bajo nuestra garantía.

### **DAÑOS EMERGENTES**

El garante no se hace responsable por ningún daño emergente. ALGUNOS ESTADOS NO PERMITEN LA EXCLUSIÓN DE DAÑOS EMERGENTES ASÍ QUE LA EXCLUSIÓN ANTERIOR PODRÍA NO CORRESPONDERLE.

### **GARANTÍAS IMPLÍCITAS/LEY ESTATAL**

Cualquier garantía implícita, incluyendo la garantía implícita de comerciabilidad y adecuación al objetivo, impuestas al momento de la venta por las leyes del estado de venta se encuentran limitadas a dos años a partir de la fecha original de compra. Algunos estados no permiten límites en cuanto a la duración de las garantías implícitas. Esta garantía le otorga derechos legales específicos y podría también incluir derechos, que varían de estado en estado.

### **SERVICIO**

Para servicio contacte a:

KOBE Range Hoods  
11775 Clark Street  
Arcadia, CA 91006  
U.S.A  
Tel: (626) 775-8880  
Correo electrónico: [customer.service@KOBERangeHoods.com](mailto:customer.service@KOBERangeHoods.com)  
Sitio de Internet: [www.KOBERangeHoods.com](http://www.KOBERangeHoods.com)

## REGISTRO DEL PRODUCTO

### Registre su Producto!

Cualquier avería cubierta que ocurra dentro de un periodo de dos años a partir de la fecha de compra original que surja a causa de mano de obra o material defectuoso de fábrica será reparada, o a nuestra discreción, la unidad será reemplazada sin costo alguno por parte de un Agente autorizado de KOBE Range Hoods o KOBE Range Hoods según corresponda. Tenga a la mano un comprobante de compra (factura original) para su verificación.

Si la campana de extracción ha sido vendida por el comprador original durante el periodo de garantía, el nuevo propietario estará protegido hasta que la garantía del comprador original se venza. Consulte la sección de la garantía para obtener la información completa sobre la cobertura de la garantía.

Este aparato ha sido fabricado, sometido a pruebas e inspeccionado según los estándares requeridos por KOBE Range Hoods.

### **POR FAVOR, ENVÍE POR CORREO SU TARJETA DE REGISTRO DE GARANTÍA Y EL COMPROBANTE DE COMPRA A:**

KOBE Range Hoods  
Warranty Registration  
11775 Clark Street  
Arcadia, CA 91006 U.S.A

### **ESCRIBA LA SIGUIENTE INFORMACIÓN PARA SUS ARCHIVOS:**

Modelo No. \_\_\_\_\_

No. de Serie \_\_\_\_\_

Fecha de Compra            \_\_\_\_ / \_\_\_\_ / \_\_\_\_

Comprado En:

\_\_\_\_\_

\_\_\_\_\_

\_\_\_\_\_

**IMPORTANTE: POR FAVOR, TENGA A LA MANO UNA COPIA DE SU RECIBO DE VENTA O FACTURA AL SOLICITAR SERVICIO.**



KOBE Range Hoods  
11775 Clark Street  
Arcadia, CA 91006 USA

<http://www.KOBERangeHoods.com>

This KOBE hood is made for use in the USA and CANADA only. We do not recommend using this hood overseas as the power supply may not be compatible and may violate the electrical code of that country. **Using a KOBE hood overseas is at your own risk and will void your warranty.**

Cette hotte KOBE est fabriquée pour usage aux États-Unis et au Canada seulement. Il n'est pas recommandé d'utiliser cette hotte à l'étranger puisque l'alimentation électrique pourrait ne pas être compatible et enfreindre le code de l'électricité de ce pays. **L'usage de la hotte KOBE à l'étranger est à votre propre risque et la garantie sera annulée.**

Esta campana de extracción KOBE ha sido fabricada para ser utilizada únicamente en EE.UU. y CANADÁ. No recomendamos la utilización de esta campana en el extranjero debido a que la fuente de energía podría no ser compatible y podría violar el código eléctrico de dicho país. **Utilizar una campana KOBE en el extranjero será a su propio riesgo y anulará la garantía.**